



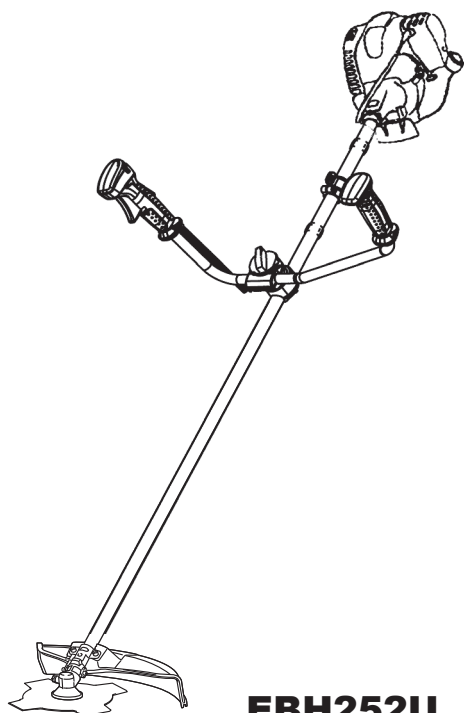
## EBH252U/EBH253U/EBH252L/EBH253L

**GB** Petrol Brushcutter

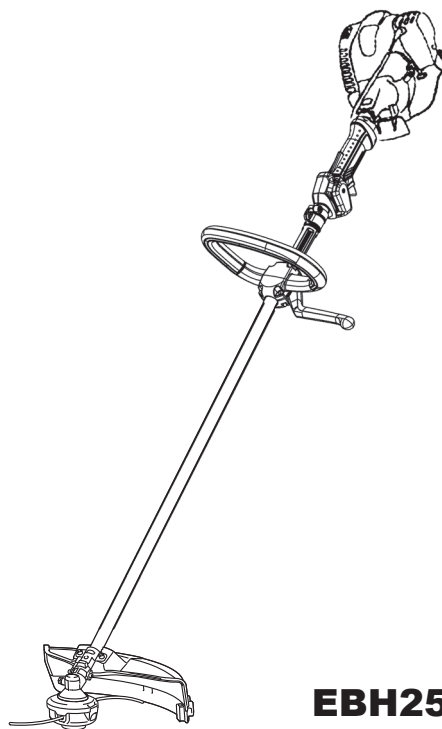
**F** Débroussailleuse thermique

**LS** Desbrozadora

ORIGINAL INSTRUCTION MANUAL  
MODE D'EMPLOI ORIGINAL  
MANUAL ORIGINAL DE INSTRUCCIONES



**EBH252U**  
**EBH253U**



**EBH252L**  
**EBH253L**

**Important:**

Read this instruction manual carefully before putting the Petrol Brushcutter into operation and strictly observe the safety regulations!  
Preserve instruction manual carefully!

**Important :**

Lisez attentivement ce manuel d'instructions avant d'utiliser la débroussailleuse thermique et respectez scrupuleusement les règlements de sécurité!  
Conservez précieusement ce manuel d'instructions!

**Importante:**

Lea esta manual de instrucciones con atención antes de utilizar la desbrozadora y ¡observe estrictamente las regulaciones de seguridad!  
¡Conserve cuidadosamente su manual de instrucciones!

Thank you very much for purchasing the MAKITA Petrol Brushcutter. We are pleased to recommend to you the MAKITA Petrol Brushcutter which is the result of a long development programme and many years of knowledge and experience.

Please read this booklet which refers in detail to the various points that will demonstrate its outstanding performance. This will assist you to obtain the best possible result from your MAKITA Petrol Brushcutter.



## Table of Contents

## Page

Symbols.....	2
Safety instructions .....	3
Technical data.....	7
Designation of parts.....	9
Mounting of handle.....	10
Mounting of protector.....	11
Mounting of cutter blade or nylon cutting head.....	12
Before start of operation .....	14
Correct handling of machine.....	16
Points in operation and how to stop .....	17
Servicing instructions.....	19
Storage .....	26

## SYMBOLS

You will note the following symbols when reading the instructions manual.

	Read instruction manual and follow the warnings and safety precautions!		Wear protective helmet, eye and ear protection!
	Take Particular care and attention!		Top permissible tool speed
	Forbidden!		Fuel (Gasoline)
	Keep distance!		Engine-manual start
	Flying object hazard!		Emergency stop
	No smoking!		First Aid
	No open flame!		Recycling
	Protective gloves must be worn!		ON/START
	Wear sturdy boots with nonslip soles. Steeltoed safety boots are recommended!		OFF/STOP
	Kickback!		
	Keep the area of operation clear of all persons and pets!		

# SAFETY INSTRUCTIONS

## General Instructions

- To ensure correct operation, user has to read this instruction manual to make himself familiar with the handling of the Petrol Brushcutter. Users insufficiently informed will risk danger to themselves as well as others due to improper handling.
- It is recommended only to lend the Petrol Brushcutter to people who have proven to be experienced with Petrol Brushcutters. Always hand over the instruction manual.
- First users should ask the dealer for basic instructions to familiarize oneself with the handling of an engine powered cutter.
- Children and young persons aged under 18 years must not be allowed to operate the Petrol Brushcutter. Persons over the age of 16 years may however use the device for the purpose of being trained only whilst under supervision of a qualified trainer.
- Use Petrol Brushcutters with the utmost care and attention.
- Operate the Petrol Brushcutter only if you are in good physical condition. Perform all work calmly and carefully. The user has to accept liability for others.
- Never use the Petrol Brushcutter after consumption of alcohol or drugs, or if feeling tired or ill.
- National regulation can restrict the use of the machine.

## Intended use of the machine

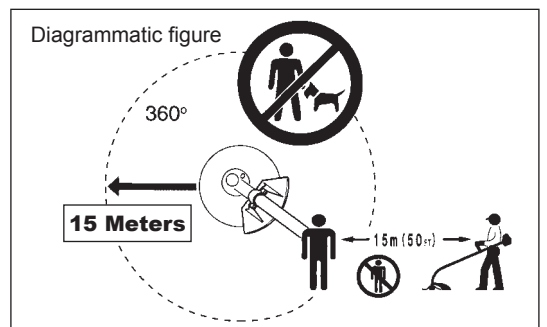
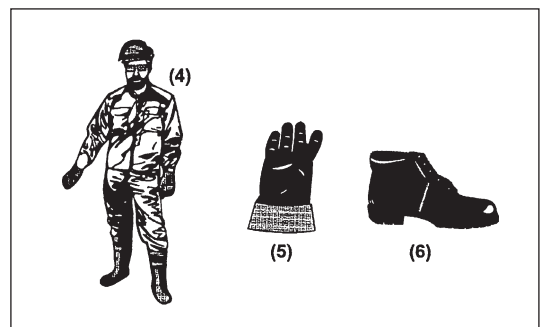
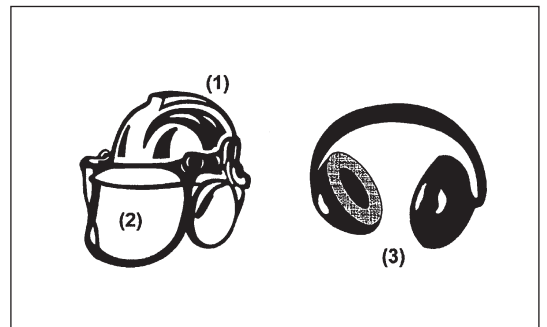
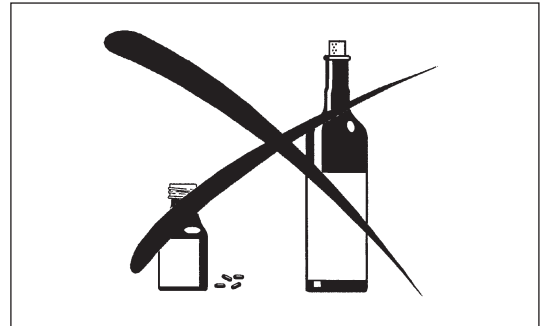
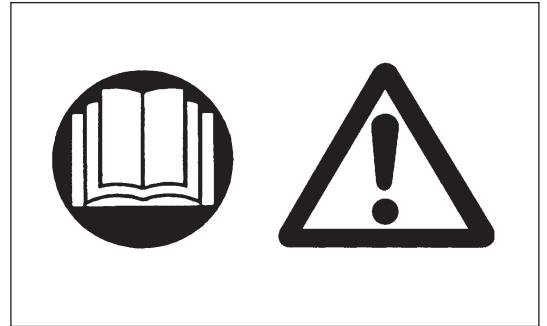
- The Petrol Brushcutter is only intended for cutter grass, weeds, Bushes, undergrowth it should not be used for any other purpose such as Edging or hedge cutting as this may cause injury.

## Personal protective equipment

- The clothing worn should be functional and appropriate, i.e. it should be tight-fitting but not cause hindrance. Do not wear either jewelry or clothing which could become entangled with bushes or shrubs.
- In order to avoid either head-, eye-, hand- or foot injuries as well as to protect your hearing the following protective equipment and protective clothing must be used during operation of the Petrol Brushcutter.
- Always wear a helmet where there is a risk of falling objects. The protective helmet (1) is to be checked at regular intervals for damage and is to be replaced at the latest after 5 years. Use only approved protective helmets.
- The visor (2) of the helmet (or alternatively goggles) protects the face from flying debris and stones. During operation of the Petrol Brushcutter always wear goggles, or a visor to prevent eye injuries.
- Wear adequate noise protection equipment to avoid hearing impairment (ear muffs (3), ear plugs etc.).
- The work overalls (4) protect against flying stones and debris. We strongly recommend that the user wears work overalls.
- Special gloves (5) made of thick leather are part of the prescribed equipment and must always be worn during operation of the Petrol Brushcutter.
- When using the Petrol Brushcutter, always wear sturdy shoes (6) with a non-slip sole. This protects against injuries and ensures a good footing.

## Starting up the Petrol Brushcutter

- Please make sure that there are no children or other people within a working range of 15 meters (50 ft), also pay attention to any animals in the working vicinity.
- Before use always check that the Petrol Brushcutter is safe for operation: Check the security of the cutting tool, the control lever for easy action and check for proper functioning of the control lever lock.
- Rotation of the cutting tool during idling speed is not allowed. Check with your dealer for adjustment if in doubt. Check for clean and dry handles and test the function of the start/stop switch.

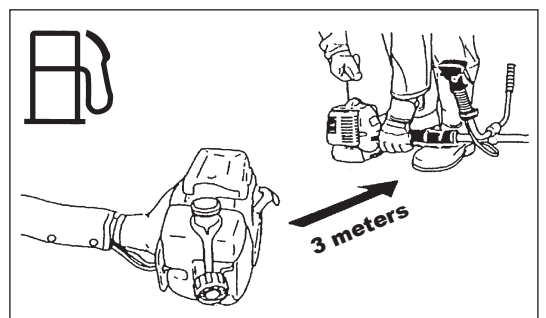
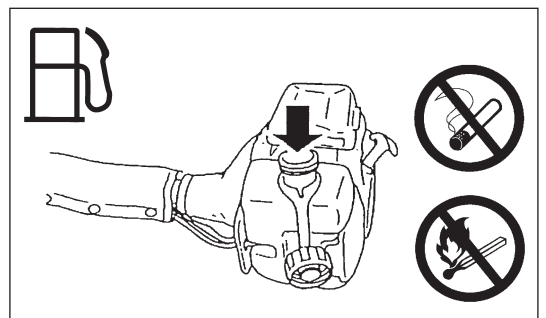
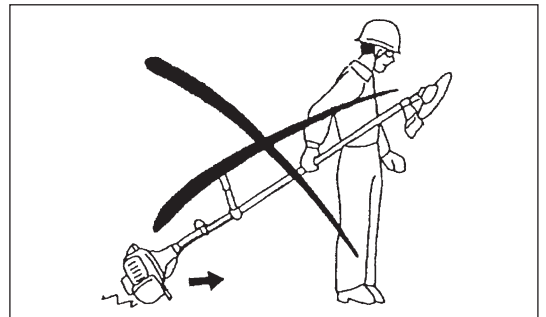
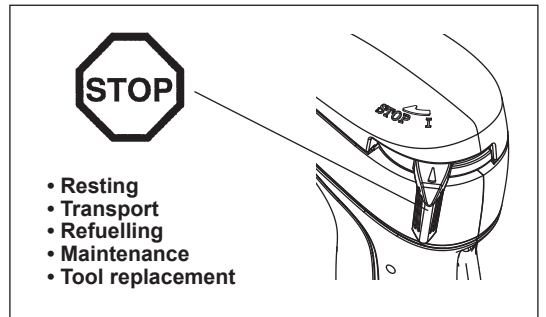
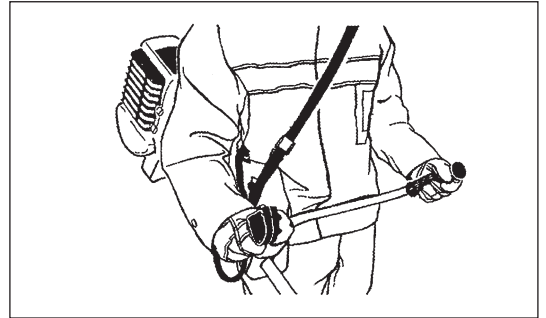
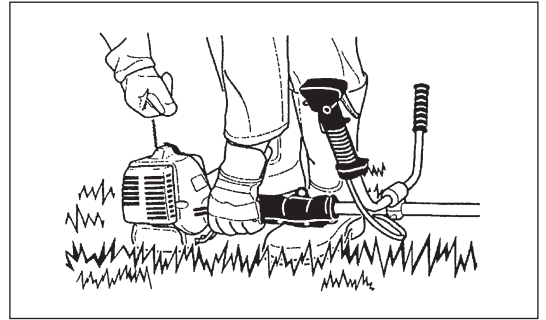


Start the Petrol Brushcutter only in accordance with the instructions.

- Do not use any other methods for starting the engine!
- Use the Petrol Brushcutter and the tools only for such applications as specified.
- Only start the Petrol Brushcutter engine, after the entire assembly is done. Operation of the device is only permitted after all the appropriate accessories are attached!
- Before starting make sure that the cutting tool has no contact with hard objects such as branches, stones etc. as the cutting tool will revolve when starting.
- The engine is to be switched off immediately in case of any engine problems.
- Should the cutting tool hit stones or other hard objects, immediately switch off the engine and inspect the cutting tool.
- Inspect the cutting tool at short regular intervals for damage (detection of hairline cracks by means of tapping-noise test).
- Operate the Petrol Brushcutter only with the shoulder strap attached which is to be suitably adjusted before putting the Petrol Brushcutter into operation. It is essential to adjust the shoulder strap according to the user size to prevent fatigue occurring during use. Never hold the cutter with one hand during use.
- During operation always hold the Petrol Brushcutter with both hands. Always ensure a safe footing.
- Operate the Petrol Brushcutter in such a manner as to avoid inhalation of the exhaust gases. Never run the engine in enclosed rooms (risk of gas poisoning). Carbon monoxide is an odorless gas.
- Switch off the engine when resting and when leaving the Petrol Brushcutter unattended, and place it in a safe location to prevent danger to others or damage to the machine.
- Never put the hot Petrol Brushcutter onto dry grass or onto any combustible materials.
- The cutting tool has to be equipped with its appropriate guard. Never run the cutter without this guard!
- All protective installations and guards supplied with the machine must be used during operation.
- Never operate the engine with faulty exhaust muffler.
- Shut off the engine during transport.
- During transport over long distances the tool protection included with the equipment must always be used.
- Ensure safe position of the Petrol Brushcutter during car transportation to avoid fuel leakage.
- When transporting the Petrol Brushcutter, ensure that the fuel tank is completely empty.
- When unloading the Petrol Brushcutter from the truck, never drop the Engine to the ground or this may severely damage the fuel tank.
- Except in case of emergency, never drop or cast the Petrol Brushcutter to the ground or this may severely damage the Petrol Brushcutter.
- Remember to lift the entire equipment from the ground when moving the equipment. Dragging the fuel tank is highly dangerous and will cause damage and leakage of fuel, possibly causing fire.

## Refuelling

- Shut off the engine during refuelling, keep away from open flames and do not smoke.
- Avoid skin contact with mineral oil products. Do not inhale fuel vapor. Always wear protective gloves during refuelling. Change and clean protective clothing at regular intervals.
- Take care not to spill either fuel or oil in order to prevent soil contamination (environmental protection). Clean the Petrol Brushcutter immediately after fuel has been spilled.
- Avoid any fuel contact with your clothing. Change your clothing instantly if fuel has been spilled on it (to prevent clothing catching fire).
- Inspect the fuel cap at regular intervals making sure that it can be securely fastened and does not leak.
- Carefully tighten the fuel tank cap. Change location to start the engine (at least 3 meters away from the place of refuelling).
- Never refuel in closed rooms. Fuel vapors accumulate at ground level (risk of explosions).
- Only transport and store fuel in approved containers. Make sure the fuel stored is not accessible to children.



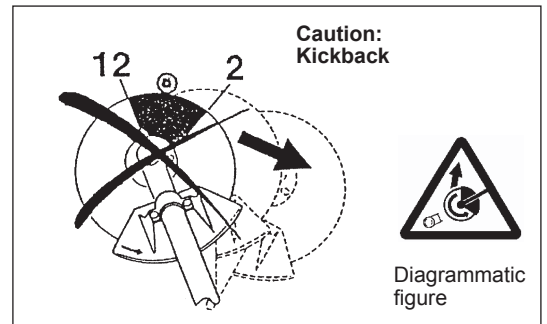
## Method of operation

- Only use the Petrol Brushcutter in good light and visibility. During the winter season beware of slippery or wet areas, ice and snow (risk of slipping). Always ensure a safe footing.
- Never cut above waist height.
- Never stand on a ladder and run the Petrol Brushcutter.
- Never climb up into trees to perform cutting operation with the Petrol Brushcutter.
- Never work on unstable surfaces.
- Remove sand, stones, nails etc. found within the working range. Foreign particles may damage the cutting tool and can cause dangerous kick-backs.
- Before commencing cutting, the cutting tool must have reached full working speed.



## Kickback

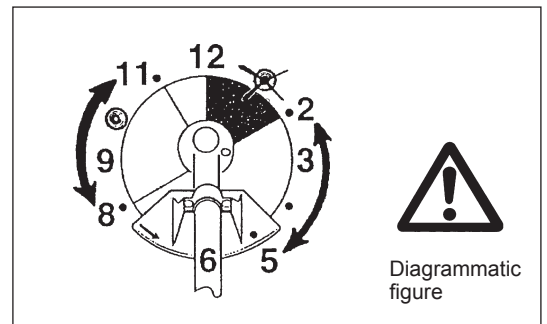
- When operating the Petrol Brushcutter, uncontrolled kickback may occur.
- This is particularly the case when attempting to cut within a blade segment between 12 and 2 o'clock.
- Never apply the Petrol Brushcutter within a segment between 12 and 2 o'clock.
- Never apply this segment of the Petrol Brushcutter blade to solids, such as bushes and trees, etc., having a diameter in excess of 3 cm or the Petrol Brushcutter will be deflected at great force with the risk of injuries.



## Kickback prevention

### To avoid kickbacks, observe the following:

- Operation within a blade segment between 12 and 2 o'clock presents positive hazards, especially when using metal cutting tools.
- Cutting operations within a blade segment between 11 and 12 o'clock, and between 2 and 5 o'clock, must only be performed by trained and experienced operators, and then only at their own risk. Easy cutting with almost no kickback is possible within a blade segment between 8 and 11 o'clock.

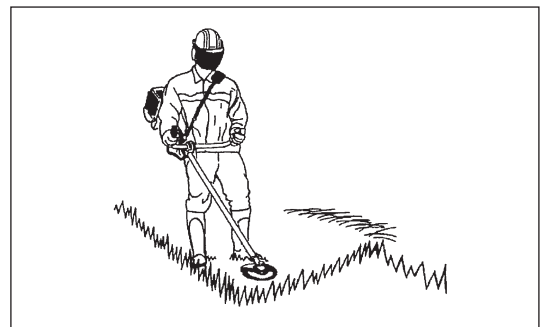


## Cutting Tools

Employ only the correct cutting tool for the job in hand.

EBH252U, EBH253U, EBH252L, EBH253L with cutter blade, Nylon cutting head

For cutting thick materials, such as weed, high grass, bushes, shrubs, underwood, thicket etc. (max. 2 cm dia. thickness). Perform this cutting work by swinging the Petrol Brushcutter evenly in half-circles from right to left (similar to using a scythe).



## Maintenance instructions

- The condition of the cutter, in particular of the cutting tool of the protective devices and also of the shoulder strap must be checked before commencing work. Particular attention is to be paid to the cutting blades which must be correctly sharpened.
- Turn off the engine and remove spark plug connector when replacing or sharpening cutting tools, and also when cleaning the cutter or cutting tool.

### Never straighten or weld damaged cutting tools.

- Operate the Petrol Brushcutter with as little noise and contamination as possible. In particular check the correct setting of the carburetor.
- Clean the Petrol Brushcutter at regular intervals and check that all screws and nuts are well tightened.
- Never service or store the Petrol Brushcutter in the vicinity of naked flames.
- Always store the Petrol Brushcutter in locked rooms and with an emptied fuel tank.



Observe the relevant accident prevention instructions issued by the relevant trade associations and by the insurance companies. Do not perform any modifications on the Petrol Brushcutter as this will endanger your safety.

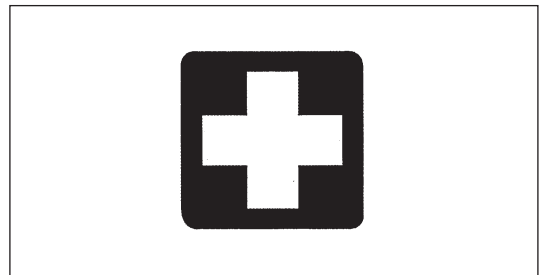
The performance of maintenance or repair work by the user is limited to those activities as described in the instruction manual. All other work is to be done by an Authorized Service Agent. Use only genuine spare parts and accessories released and supplied by MAKITA. Use of non-approved accessories and tools means increased risk of accidents. MAKITA will not accept any liability for accidents or damage caused by the use of non-approved cutting tools and fixing devices of cutting tools, or accessories.

### First Aid

In case of accident make sure that a first-aid box is available in the vicinity of the cutting operations. Immediately replace any item taken from the first aid box.

### When asking for help, please give the following information:

- Place of accident
- What happened
- Number of injured persons
- Kind of injuries
- Your name



---

### Packaging

The MAKITA Petrol Brushcutter will be delivered in two protective cardboard boxes to prevent transport damage. Cardboard is a basic raw material and is therefore consequently reusable or suitable for recycling (waste paper recycling).



## TECHNICAL DATA EBH252U, EBH252L

Model		EBH252U	EBH252L
		Bike handle	Loop handle
Dimensions: length x width x height (without cutting blade)	mm	1,770 x 620 x 490	1,770 x 330 x 275
Mass (without plastic guard and cutting blade)	kg	5.7	5.3
Volume (fuel tank)	L	0.5	
Volume (oil tank)	L	0.08	
Engine displacement	cm <sup>3</sup>	24.5	
Maximum engine performance	kw	0.71 at 7,000 min <sup>-1</sup>	
Engine speed at recommended max. spindle speed	min <sup>-1</sup>	8,500	
Maximum spindle speed (corresponding)	min <sup>-1</sup>	6,500	
Maximum fuel consumption	kg/h	0.33	
Maximum specific fuel consumption	g/kwh	408	
Idling speed	min <sup>-1</sup>	3,000	
Carburetor	type	WALBRO WYL	
Ignition system	type	Solid state ignition	
Spark plug	type	NGK CMR4A	
Electrode gap	mm	0.7 - 0.8	
Fuel		Automobile gasoline	
Engine Oil		SAE 10W-30 oil of API Classification, Class SF or higher (4-stroke engine for automobile)	
Cutting tools (cutter blade dia.)	mm	230	
Gear ratio		14/19	

(For Canada)

NOTE: This spark ignition system complies with the Canadian standard ICES-002.

## TECHNICAL DATA EBH253U, EBH253L

Model	EBH253U		EBH253L	
		Bike handle		Loop handle
Dimensions: length x width x height (without cutting blade)	mm	1,770 x 620 x 490		1,770 x 330 x 275
Mass (without plastic guard and cutting blade)	kg	5.9		5.4
Volume (fuel tank)	L	0.5		
Volume (oil tank)	L	0.08		
Engine displacement	cm <sup>3</sup>	24.5		
Maximum engine performance	kw	0.71 at 7,000 min <sup>-1</sup>		
Engine speed at recommended max. spindle speed	min <sup>-1</sup>	8,500		
Maximum spindle speed (corresponding)	min <sup>-1</sup>	6,500		
Maximum fuel consumption	kg/h	0.33		
Maximum specific fuel consumption	g/kwh	408		
Idling speed	min <sup>-1</sup>	3,000		
Carburetor	type	WALBRO WYL		
Ignition system	type	Solid state ignition		
Spark plug	type	NGK CMR4A		
Electrode gap	mm	0.7 - 0.8		
Fuel		Automobile gasoline		
Engine Oil		SAE 10W-30 oil of API Classification, Class SF or higher (4-stroke engine for automobile)		
Cutting tools (cutter blade dia.)	mm	230		
Gear ratio		14/19		

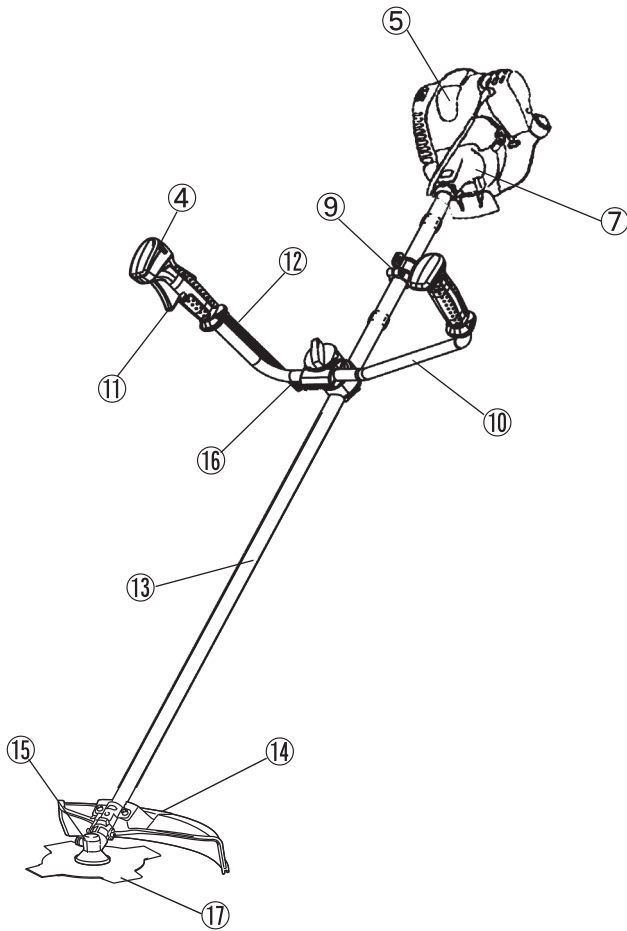
(For Canada)

NOTE: This spark ignition system complies with the Canadian standard ICES-002.

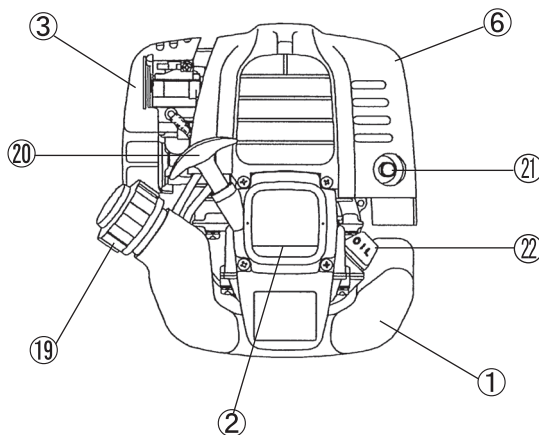
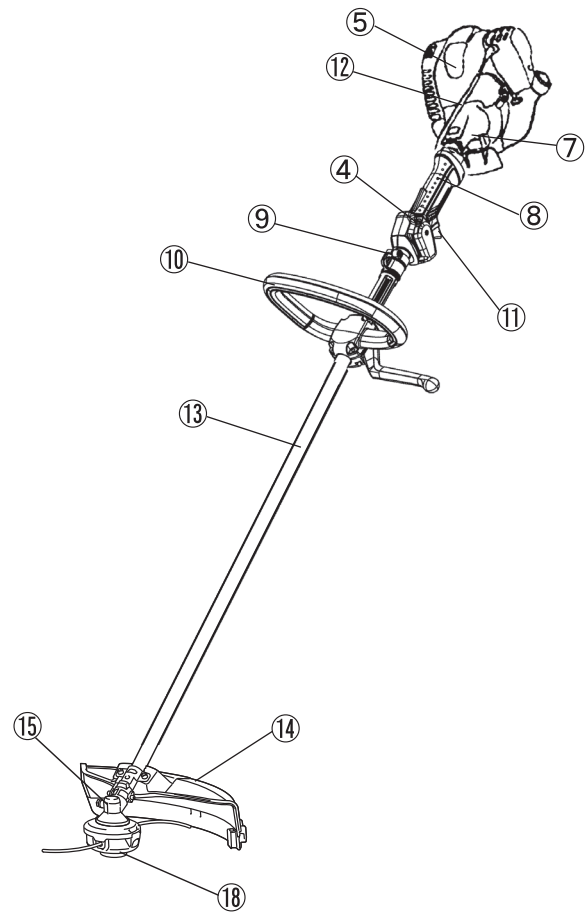


## DESIGNATION OF PARTS

**EBH252U  
EBH253U**



**EBH252L  
EBH253L**



GB	DESIGNATION OF PARTS
1	Fuel tank
2	Rewind starter
3	Air cleaner
4	I-O switch (on/off)
5	Spark plug
6	Exhaust muffler
7	Clutch case
8	Rear grip
9	Hanger
10	Handle
11	Control lever
12	Control cable
13	Shaft
14	Protector
15	Gear Case/Head case
16	Handle holder
17	Cutter blade
18	Nylon cutting head
19	Fuel filler cap
20	Starter knob
21	Exhaust pipe
22	Oil gauge

## MOUNTING OF HANDLE

CAUTION: Before doing any work on the Petrol Brushcutter, always stop the engine and pull the spark plug connector off the spark plug. Always wear protective gloves!

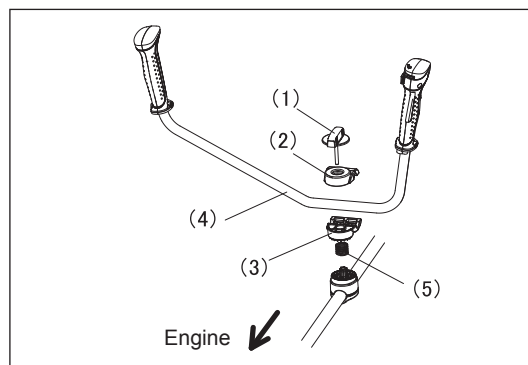
CAUTION: Start the Petrol Brushcutter only after having assembled it completely.



### For machines with bike handle models

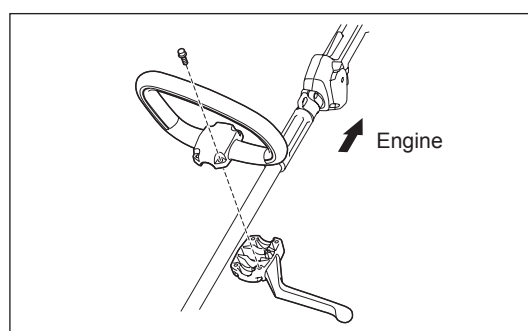
- Loosen knob (1).
- Place handle (4) between handle clamp (2) and handle holder (3).
- Adjust handle (4) to an angle that provides a comfortable working position and then secure by firmly hand-tightening knob (1).

CAUTION: Do not forget to mount spring (5).



### For machines with loop handle

- Fix a barrier to the left side of the machine together with the handle for operator protection.
- Do not adjust position of the loop handle too close to the control grip. Keep not less than 250 mm distance between the handle and the grip. (a distance collar is provided for this purpose.)



## MOUNTING OF PROTECTOR

### WARNING:

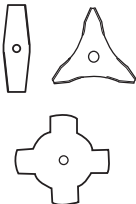

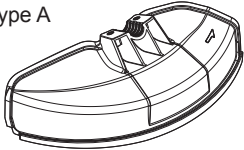
**Always use the tool with the approved combination of the safety equipments.** Otherwise contact with a cutting tool may cause serious injury.

### CAUTION:

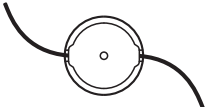
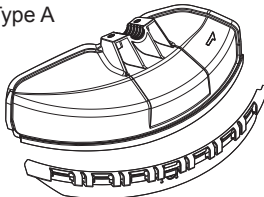
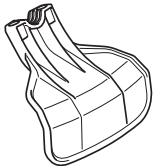
Tighten the right and left bolts evenly so that the gap between the clamp and the protector is constant. Otherwise the protector may not function as expected.

To meet the applicable safety provisions, only the tool / protector combinations as indicated in the table must be used.

### Use of metal blade

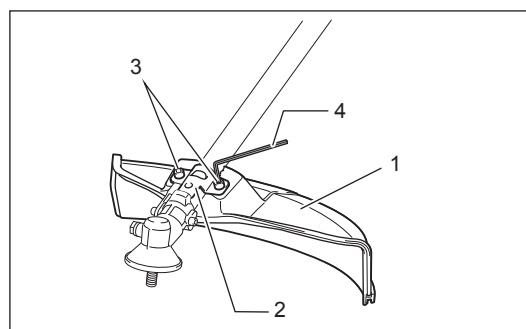
Metal blade	Clamp washer, cup, and nut are necessary	Protector
		<p>Type A</p> 

### Use of nylon cutting head

Nylon cutting head	Protector	
	<p>Type A</p> 	<p>Type B</p> 

### For metal blade

Fix the protector type A (1) to the clamp (2) with two bolts M6 x 25 (3) with hex wrench 5 (4).



### For nylon cutting head (for type A protector)

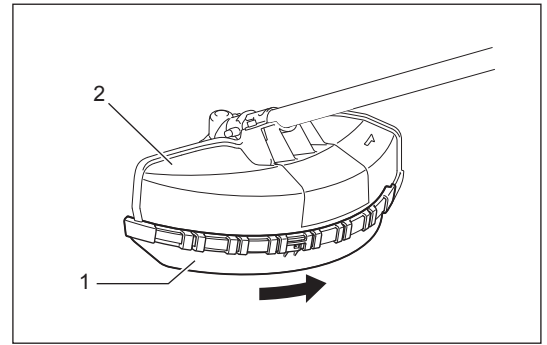
**CAUTION:**

Be sure to push in the protector extension (1) until it is fully inserted. Otherwise the protector extension may fall and result in personal injury.

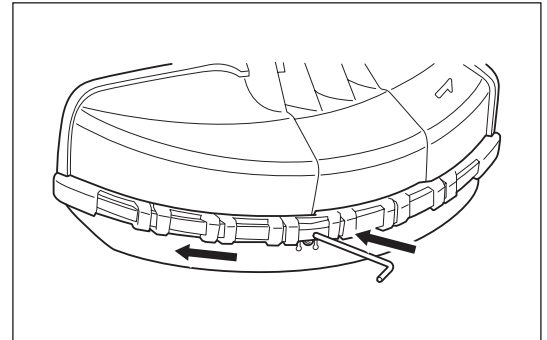
**CAUTION:**

Take care not to injure yourself on the cutter for cutting the nylon cord.

1. Fix the protector to the clamp with two bolts M6 x 25.
2. Mount the protector extension (1) by sliding it into place from the flank of the metal blade protector (2).
3. Remove tape adhered to cutter, which cuts nylon cord, on the protector extension.



4. To remove the protector extension, apply a hex wrench 4 into the notch on the protector, push it in and meanwhile slide the protector extension.

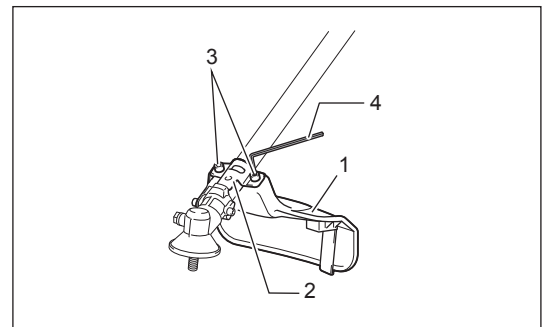


### For nylon cutting head (for type B protector)

**CAUTION:**

Take care not to injure yourself on the cutter for cutting the nylon cord.

Fix the protector (1) to the clamp (2) with two bolts M6 x 25 (3) with hex wrench 5 (4).



## **MOUNTING OF CUTTER BLADE OR NYLON CUTTING HEAD**

**CAUTION:**

**Be sure to use genuine MAKITA cutter blades or nylon cutting head.**

- The cutter blade must be well polished, free of cracks or breakage. If the cutter blade hits against a stone during operation, stop the engine and check the blade immediately.
- Polish or replace the cutter blade every three hours of operation.
- If the nylon cutting head hits against a stone during operation, stop the engine and check the nylon cutting head immediately.

**CAUTION:**

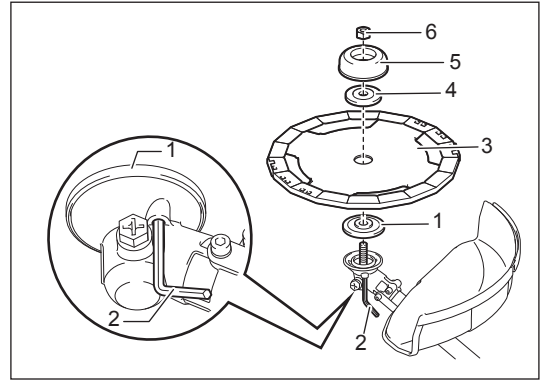
The outside diameter of the cutter blade must be 230 mm (9 - 1/16"). Never use any blades surpassing 230 mm (9 - 1/16") in outside diameter. Turn the machine upside down, and you can replace the cutter blade or nylon cutting head easily.

## Installing the metal blade

### CAUTION:

Always wear gloves, and put the blade cover on the metal blade when handling the cutter blade.

1. Install the receiver washer (1) onto the axle.
2. Insert the hex wrench 4 (2) through the hole in the gear case and rotate the receiver washer (1) until it is locked with the hex wrench.
3. Mount the metal blade (3) onto the shaft so that the guide of the receiver washer (1) fits in the arbor hole in the metal blade.
4. Install the clamp washer (4), cup (5), and secure the cutter blade by turning the nut (6) counterclockwise. [Tightening torque: 13 - 23 N-m]
5. After installing the metal blade, remove the hex wrench.

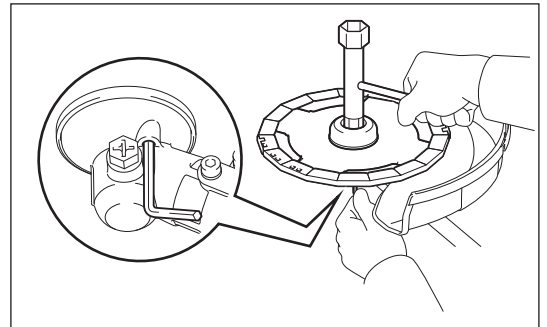


To remove the metal blade, perform as follows:

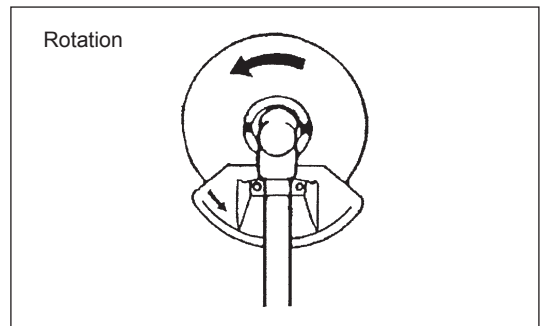
1. Insert the hex wrench through the hole in the gear case and rotate the receiver washer until it is locked with the hex wrench.
2. Loosen the nut clockwise with the socket wrench, and remove the nut, cup, clamp washer and hex wrench.

### NOTE:

The cutter blade-fastening nut (with spring washer) wears out in course of time. Replace the nut if there appears any wear or deformation on the spring washer.

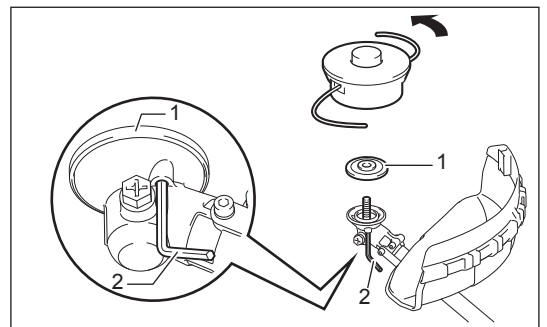


Make sure that the blade is the left way up.



## Installing the nylon cutting head

1. Install the receiver washer (1) onto the axle.
2. Insert the hex wrench (2) through the hole in the gear case and rotate the receiver washer (1) until it is locked with the hex wrench.
3. Screw the nylon cutting head onto the shaft by turning it counterclockwise.
4. After installing nylon cutting head, remove the hex wrench.



## BEFORE START OF OPERATION

### Inspection and refill of engine oil

- Perform the following procedure, with the engine cooled down.
- While keeping the engine level, remove the oil gauge, and confirm that the oil is filled within the upper and lower limit marks. When the oil is in short in such a way that the oil gauge touches the oil only by its tip, in particular with the oil gauge remaining inserted in the crankcase without screwing-in (Fig. 1), refill new oil near the port (Fig. 2).
- For reference, the oil refill time is about 10h (10 times or 10 tanks of oil refill).  
If the oil changes in color or mixes with dirt, replace it with new one. (For the interval and method of replacement, refer to P 19)

**Recommended oil:** SAE 10W-30 oil of API Classification, Class SF or higher (4-stroke engine for automobile)

**Oil volume:** Approx. 0.08L

Note: If the engine is not kept upright, oil may go into around the engine, and may be refilled excessively.

If the oil is filled above the limit, the oil may be contaminated or may catch fire with white smoke.

#### Point 1 in Replacement of oil: "Oil gauge"

- Remove dust or dirt near the oil refill port, and detach the oil gauge.
- Keep the detached oil gauge free of sand or dust. Otherwise, any sand or dust adhering to the oil gauge may cause irregular oil circulation or wear on the engine parts, which will result in troubles.
- As an example to keep the oil gauge clean, it is recommended to insert the oil gauge on its knob side into the engine cover, as shown in Fig. 3.

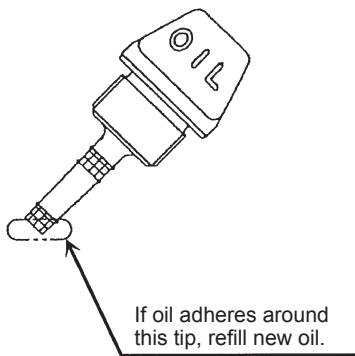


Fig. 1

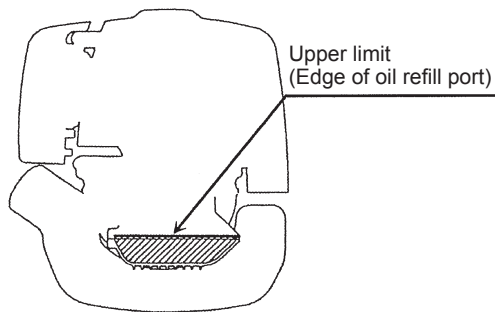


Fig. 2

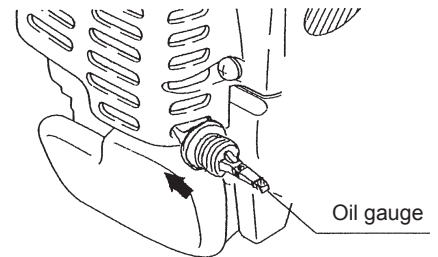
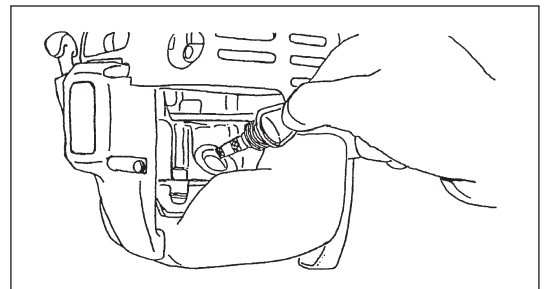
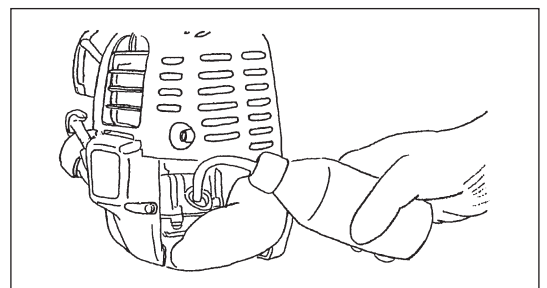


Fig. 3

- (1) Keep the engine level, and detach the oil gauge.



- (2) Fill oil up to the edge of the oil refill port. (Refer to Fig. 2 of the preceding page).  
Feed oil with the lubricant refill container.



- (3) Securely tighten the oil gauge. Insufficient tightening may cause oil leakage.

### Point 2 in Replacement of oil: "If oil spills out"

- If oil spills out between the fuel tank and engine main unit, the oil is sucked into through the cooling air intake port, which will contaminate the engine. Be sure to wipe out spilled oil before start of operation.

## REFUELING

### Handling of fuel

It is necessary to handle fuel with utmost care. Fuel may contain substances similar to solvents. Refueling must be performed in a sufficiently ventilated room or in the open air. Never inhale fuel vapor, and keep fuel away from you. If you touch fuel repeatedly or for a long time, the skin becomes dry, which may cause skin disease or allergy. If fuel enters into the eye, clean the eye with fresh water. If your eye remains still irritated, consult your doctor.

### Storage period of fuel

Fuel should be used up within a period of 4 weeks, even if it is kept in a special container in a well-ventilated shade. If a special container is not used or if the container is not covered, fuel may deteriorate in one day.

### STORAGE OF MACHINE AND REFILL TANK

- Keep the machine and tank at a cool place free from direct sunshine.
- Never keep the fuel in the cabin or trunk.

## Fuel

The engine is a four-stroke engine. Be sure to use an automobile gasoline (regular gasoline or premium gasoline).

### Points for fuel

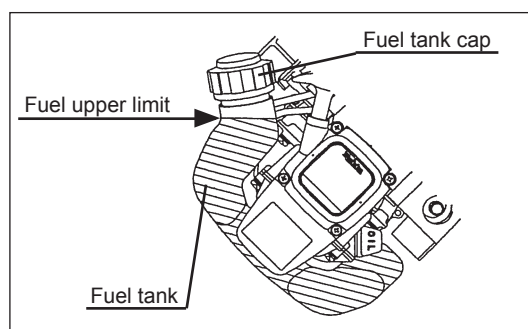
- Never use a gasoline mixture which contains engine oil. Otherwise, it will cause excessive carbon accumulation or mechanical troubles.
- Use of deteriorated oil will cause irregular startup.

## Refueling

### WARNING: INFLAMMABLES STRICTLY PROHIBITED

**Gasoline used:** Automobile gasoline (unleaded gasoline)

- Loosen the tank cap a little so that there will be no difference in atmospheric pressure.
  - Detach the tank cap, and refuel, discharging air by tilting the fuel tank so that the refuel port will be oriented upward. (Never refill fuel full to the oil refill port.)
  - Wipe well the periphery of the tank cap to prevent foreign matter from entering into the fuel tank.
  - After refueling, securely tighten the tank cap.
- 
- If there is any flaw or damage on the tank cap, replace it.
  - The tank cap is consumable, and therefore should be renewed every two to three years.



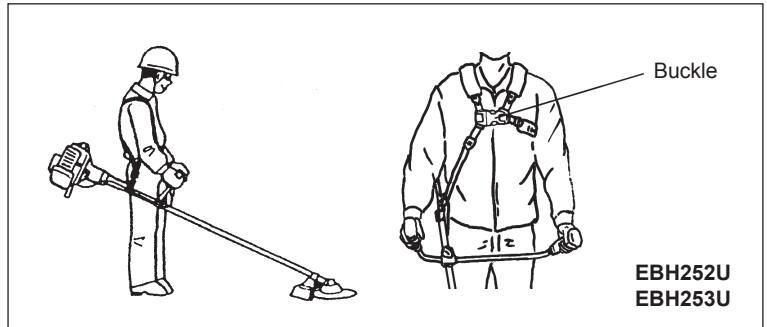
## CORRECT HANDLING OF MACHINE

### Attachment of shoulder strap

- Adjust the strap length so that the cutter blade will be kept parallel with the ground.

#### For EBH252U, EBH253U

NOTE: Be careful not to trap clothing, etc., in the buckle.

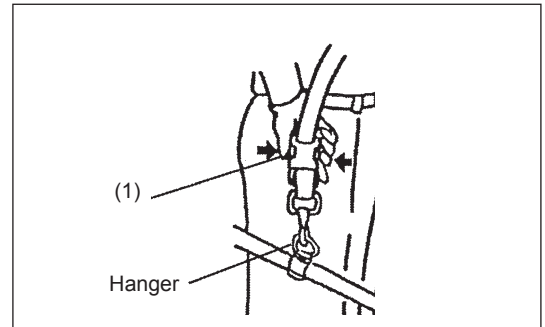


### Detachment

#### For EBH252L, EBH253L

- In an emergency, push the notches (1) at both sides, and you can detach the machine from you.  
Be extremely careful to maintain control of the machine at this time. Do not allow the machine to be deflected toward you or anyone in the work vicinity.

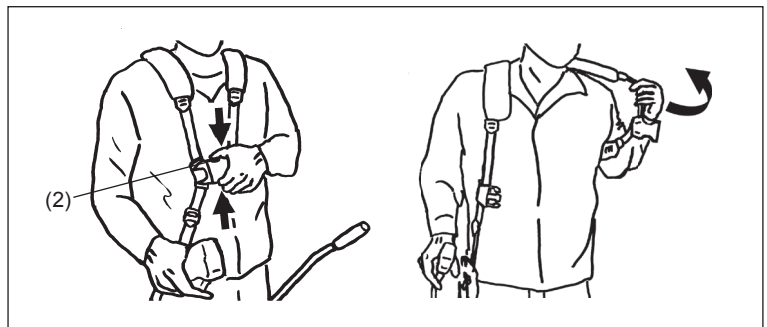
WARNING: Failure to maintain complete control of the machine at all could result in serious bodily injury or DEATH.



#### For EBH252U, EBH253U

- In an emergency, push the notches (2) at both sides, and you can detach the machine from you.  
Be extremely careful to maintain control of the machine at this time. Do not allow the machine to be deflected toward you or anyone in the work vicinity.

WARNING: Failure to maintain complete control of the machine at all could result in serious bodily injury or DEATH.

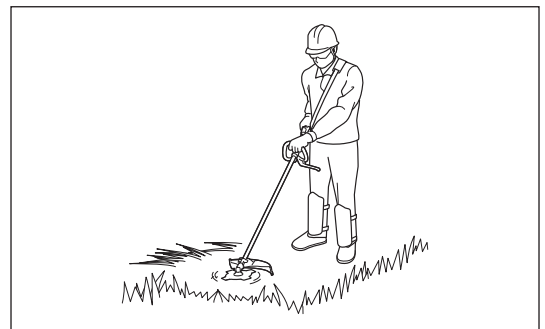


### WARNING:

Always position the tool on your right-hand side. Correct positioning of the tool allows for maximum control and will reduce the risk of serious personal injury caused by kickback.

### WARNING:

Be extremely careful to maintain control of the tool at all times. Do not allow the tool to be deflected toward you or anyone in the work vicinity. Failure to keep control of the tool could result in serious injury to the bystander and the operator.



### Nylon cutting head operation

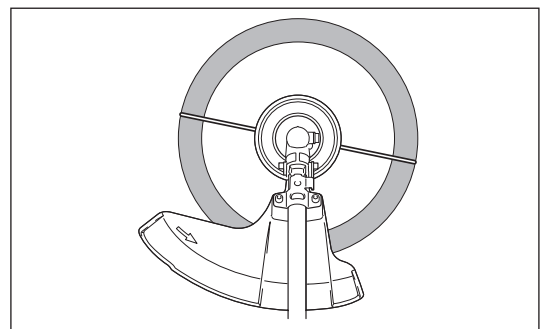
The nylon cutting head is a dual string trimmer head provided with a bump & feed mechanism.

To cause the nylon cord to feed out, tap the cutting head against the ground while rotating.

The most effective cutting area is shown by the shaded area.

### NOTE:

If the nylon cord does not feed out while tapping the head, rewind/replace the nylon cord by following the procedures described under "SERVICING INSTRUCTIONS".





## POINTS IN OPERATION AND HOW TO STOP

Observe the applicable accident prevention regulations!

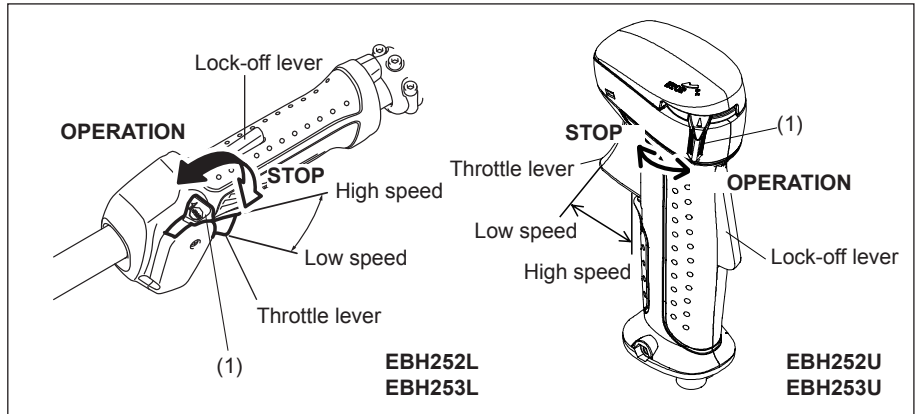


### STARTING

Move at least 3 m away from the place of refuelling. Place the Petrol Brushcutter on a clean piece of ground taking care that the cutting tool does not come into contact with the ground or any other objects.

#### A: Cold start

- 1) Set this machine on a flat space.



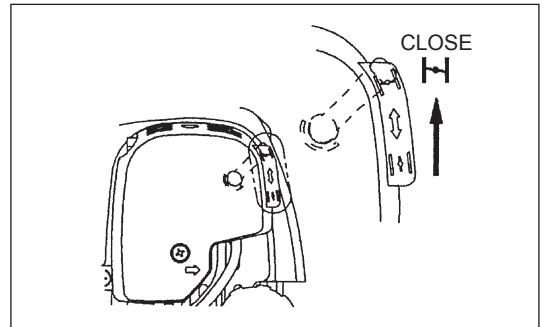
- 2) Set the I-O switch (1) to OPERATION.

- 3) Choke lever

Close the choke lever.

Choke opening:

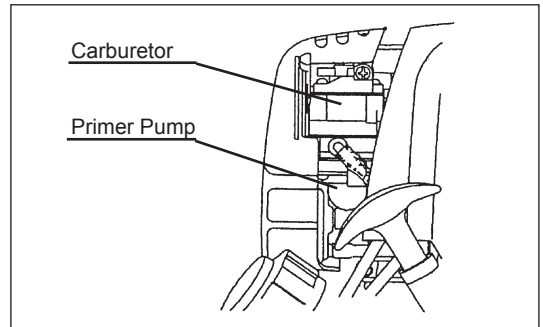
- Full closing in cold or when the engine is cold.
- Full or half opening in restart just after stop of operation.



- 4) Primer pump

Continue to push the primer pump until fuel enters into the primer pump. (In general, fuel enters into the primer pump by 7 to 10 pushes.)

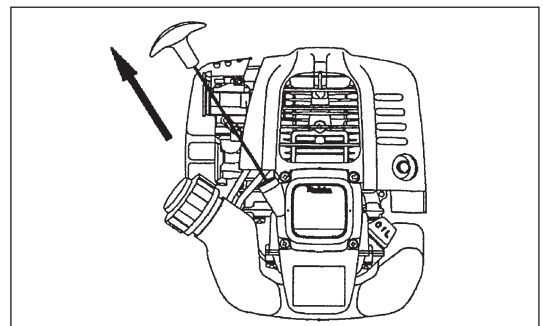
If the primer pump is pushed excessively, an excess of gasoline returns to the fuel tank.



- 5) Recoil starter

Pull the start knob gently until it is hard to pull (compression point). Then, return the start knob, and pull it strongly.

Never pull the rope to the full. Once the start knob is pulled, never release your hand immediately. Hold the start knob until it returns to its original point.



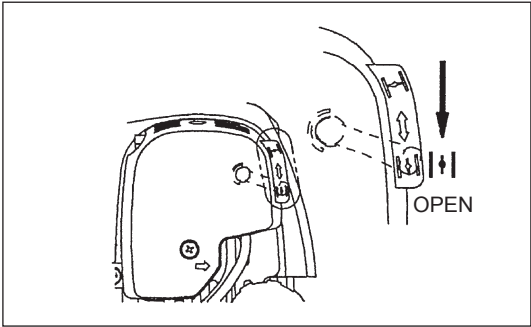
6) Choke lever

When the engine starts, open the choke lever.

- Open the choke lever progressively while checking the engine operation. Be sure to open the choke lever to the full in the end.
- In cold or when the engine is cooled down, never open the choke lever suddenly. Otherwise, the engine may stop.

7) Warm-up operation

Continue warm-up operation for 2 to 3 minutes.



Note: - If the starter handle is pulled repeatedly when the choke lever remains at "CLOSE" position, the engine will not start easily due to excessive fuel intake.  
 - In case of excessive fuel intake, remove the spark plug and pull the starter handle slowly to remove excess fuel. Also, dry the electrode section of the spark plug.

**Caution during operation:**

If the throttle lever is opened fully in a no-load operation, the engine rotation is increased to 10,000 min<sup>-1</sup> or more. Never operate the engine at a higher speed than required and at an approximate speed of 6,000 - 8,500 min<sup>-1</sup>.

**B: Startup after warm-up operation**

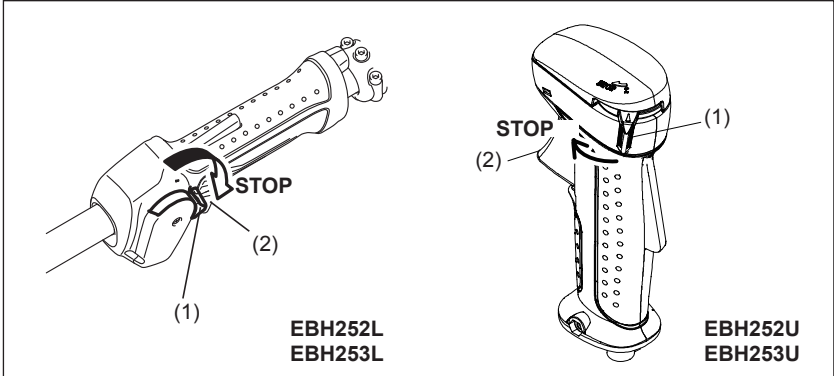
- 1) Push the primer pump repeatedly.
- 2) Keep the throttle lever at the idling position.
- 3) Pull the recoil starter strongly.
- 4) If it is difficult to start the engine, open the throttle by about 1/3. Pay attention to the cutter blade which may rotate.

**Attention in Operation**

When the engine is operated upside down, white smoke may come out from the muffler.

**STOPPING**

- 1) Release the throttle lever (2) fully, and when the engine rpm has lowered, set the I-O switch to STOP the engine will now stop.
- 2) Be aware that the cutting head may not stop immediately and allow it to slow down fully.



**ADJUSTMENT OF LOW-SPEED ROTATION (IDLING)**

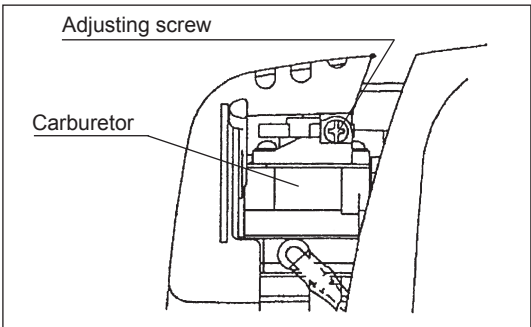
When it is necessary to adjust the low-speed rotation (idling), perform it by the carburetor adjusting screw.

**CHECKUP OF LOW-SPEED ROTATION**

CAUTION:  
 The cutting attachment may be spinning during carburetor adjustments. Wear your protective equipment and observe all safety instructions. Be sure the cutting attachment stops turning when the engine idles.

CAUTION:  
 When the unit is turned off, make sure the cutting attachment has stopped before the unit is set down.

- Set the low-speed rotation to 3,000 min<sup>-1</sup>. If it is necessary to change the rotation speed, regulate the adjusting screw (illustrated on the right), with Phillips screwdriver.
- Turn the adjusting screw to the right, and the engine rotation will increase. Turn the adjusting screw to the left, and the engine rotation will drop.
- The carburetor is generally adjusted before shipment. If it is necessary to readjust it, please contact Authorized Service Agent.



## SERVICING INSTRUCTIONS

**CAUTION:** Before doing any work on the Petrol Brushcutter, always stop the engine and pull the plug cap off the spark plug (see “checking the spark plug”).  
Always wear protective gloves!

To ensure a long service life and to avoid any damage to the equipment, the following servicing operations should be performed at regular intervals.

### Daily checkup and maintenance

- Before operation, check the machine for loose screws or missing parts. Pay particular attention to the tightness of the cutter blade or nylon cutting head.
- Before operation, always check for clogging of the cooling air passage and the cylinder fins. Clean them if necessary.
- Perform the following work daily after use:
  - Clean the Petrol Brushcutter externally and inspect for damage.
  - Clean the air filter. When working under extremely dusty conditions, clean the filter the several times a day.
  - Check the blade or the nylon cutting head for damage and make sure it is firmly mounted.
  - Check that there is sufficient difference between idling and engagement speed to ensure that the cutting tool is at a standstill while the engine is idling (if necessary reduce idling speed).  
If under idling conditions the tool should still continue to run, consult your nearest Authorized Service Agent.
- Check the functioning of the I-O switch, the lock-off lever, the control lever, and the look button.

### Metal blade resharpening

**CAUTION:**

The metal blades must only be resharpened by an authorized facility. Manual resharpening may result in imbalances of the cutting tool causing vibrations and damage to the equipment.

**NOTE:** To increase the service life of the cutter blade it may be turned over once, until both cutting edges have become blunt.

### REPLACEMENT OF ENGINE OIL

Deteriorated engine oil will shorten the life of the sliding and rotating parts to a great extent. Be sure to check the period and quantity of replacement.



**ATTENTION:** In general, the engine main unit and engine oil still remain hot just after the engine is stopped. In replacement of oil, confirm that the engine main unit and engine oil are sufficiently cooled down. Otherwise, there may remain a risk of scald.

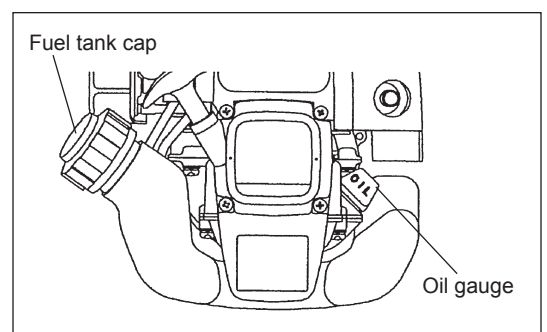
**Note:** If the oil filled above the limit, it may be contaminated or may catch fire with white smoke.

**Interval of replacement:** Initially, every 20 operating hours, and subsequently every 50 operating hours

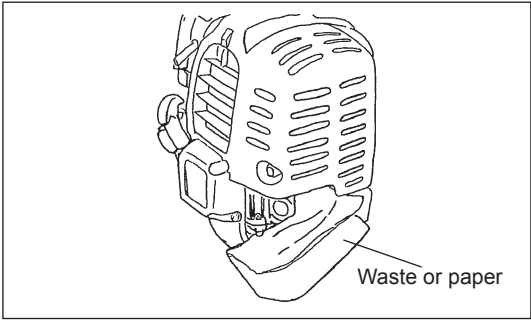
**Recommended oil:** SAE10W-30 oil of API Classification SF Class or higher (4-stroke engine oil for automobile)

In replacement, perform the following procedure.

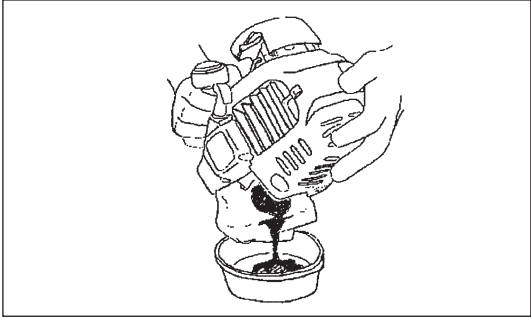
- 1) Confirm that the tank cap is tightened securely.
- 2) Detach the oil gauge.  
Keep the oil gauge free from dust or dirt.



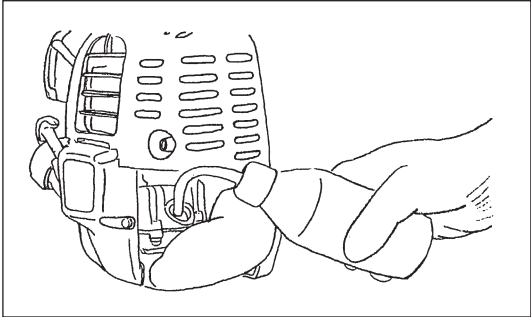
3) Place waste or paper near the oil refill port.



4) Detach the oil gauge, and drain oil, tilting the main unit toward the oil refill port. Drain oil in a container for orderly disposal.



5) Keep the engine level, and feed new oil up to the edge of the oil refill port. In refill, use a lubricant refill container.  
6) After refill, securely tighten the oil gauge. Insufficient tightening of the oil gauge will lead to oil leakage.



**POINTS ON OIL**

- Never discard replaced engine oil in garbage, earth or sewage ditch. Disposal of oil is regulated by law. In disposal, always follow the relevant laws and regulations. For any points remaining unknown, contact Authorized Service Agent.
- Oil will deteriorate even when it is kept unused. Perform inspection and replacement at regular intervals (replace with new oil every 6 months).

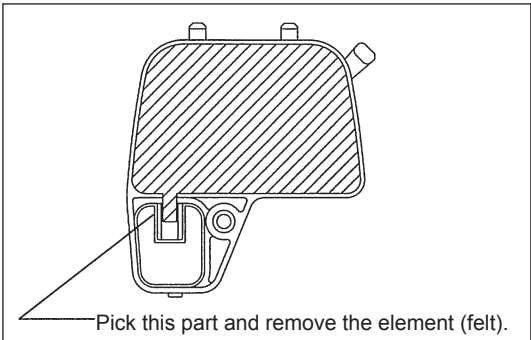
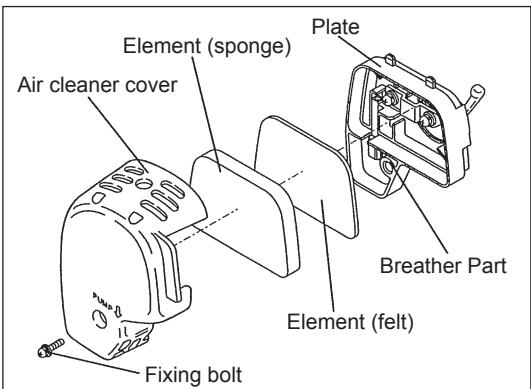
**CLEANING OF AIR CLEANER**



**DANGER: INFLAMMABLES STRICTLY PROHIBITED**

**Interval of Cleaning and Inspection: Daily (every 10 operating hours)**

- Turn the choke lever to the full close side, and keep the carburetor off from dust or dirt.
- Remove the air cleaner cover-fixing bolts.
- Pull the cover lower side and detach the air cleaner cover.
- If oil adheres to the element (sponge), squeeze it firmly.
- For heavy contamination:
  - 1) Remove the element (sponge), immerse it in warm water or in water-diluted neutral detergent, and dry it completely.
  - 2) Clean the element (felt) with gasoline, and dry it completely.
- Before attaching the element, be sure to dry it completely. Insufficient drying of the element may lead to difficult startup.
- Wipe out with waste cloth, oil adhering around the air cleaner cover and plate breather.
- Immediately after cleaning is finished, attach the cleaner cover and tighten it with fixing bolts. (In remounting, first place the upper claw, and then the lower claw.)



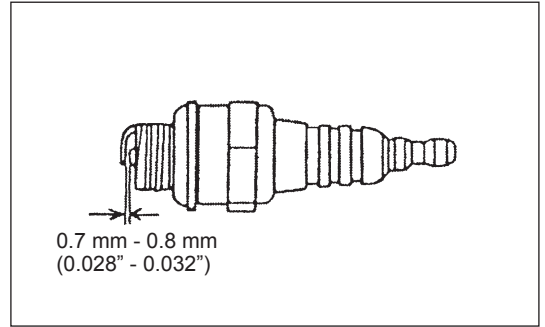
**Points in Handling Air Cleaner Element**

- Clean the element several times a day, if excessive dust adheres to it.
- If operation continues with the element remaining not cleared of oil, oil in the air cleaner may fall outside, resulting in oil contamination.

## CHECKING THE SPARK PLUG

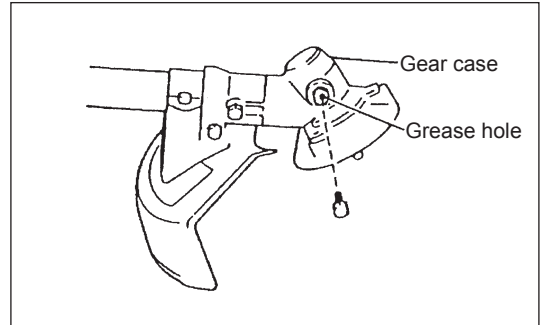
- Only use the supplied universal wrench to remove or to install the spark plug.
- The gap between the two electrodes of the spark plug should be 0.7 - 0.8 mm (0.028" - 0.032"). If the gap is too wide or too narrow, adjust it. If the spark plug is clogged or contaminated, clean it thoroughly or replace it.

CAUTION: Never touch the spark plug connector while the engine is running (danger of high voltage electric shock).



## SUPPLY OF GREASE TO GEAR CASE

- Supply grease (Shell Alvania 2 or equivalent) to the gear case through the grease hole every 30 hours. (Genuine MAKITA grease may be purchased from your MAKITA dealer.)



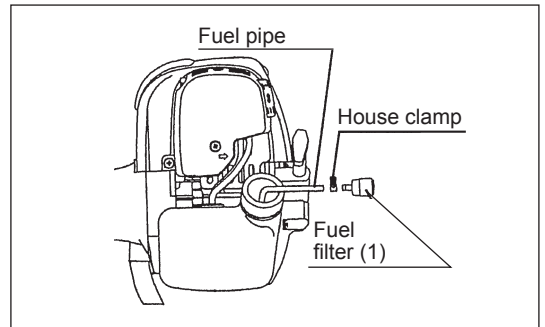
## CLEANING OF FUEL FILTER

### WARNING: INFLAMMABLES STRICTLY PROHIBITED

Interval of Cleaning and Inspection: Monthly (every 50 operating hours)

### Suction head in the fuel tank

- The fuel filter (1) of the suction head is used to filter the fuel required by the carburetor.
- A periodical visual inspection of the fuel filter is to be conducted. For that purpose open the tank cap, use a wire hook and pull out the suction head through the tank opening. Filters found to have hardened, been polluted or clogged up are to be replaced.
- Insufficient fuel supply can result in the admissible maximum speed being exceeded. It is therefore important to replace the fuel filter at least quarterly to ensure satisfactory fuel supply to the carburetor.



## REPLACEMENT OF FUEL PIPE

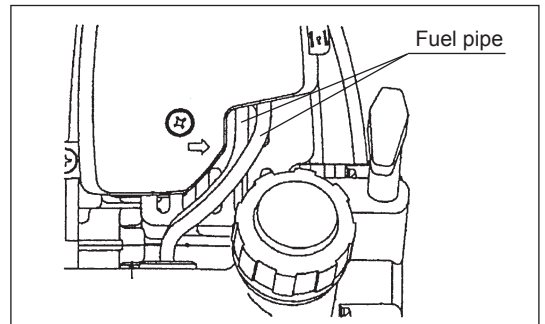
### CAUTION: INFLAMMABLES STRICTLY PROHIBITED

Interval of Cleaning and Inspection: Daily (every 10 operating hours)

Replacement: Annually (every 200 operating hours)

Replace the fuel pipe every year, regardless of operating frequency. Fuel leakage may lead to fire.

If any leakage is detected during inspection, replace the oil pipe immediately.



## INSPECTION OF BOLTS, NUTS AND SCREWS

- Retighten loose bolts, nuts, etc.
- Check for fuel and oil leakage.
- Replace damaged parts with new ones for safety operation.

## CLEANING OF PARTS

- Keep the engine always clean.
- Keep the cylinder fins free of dust or dirt. Dust or dirt adhering to the fins will cause piston seizure.

## REPLACEMENT OF GASKETS AND PACKINGS

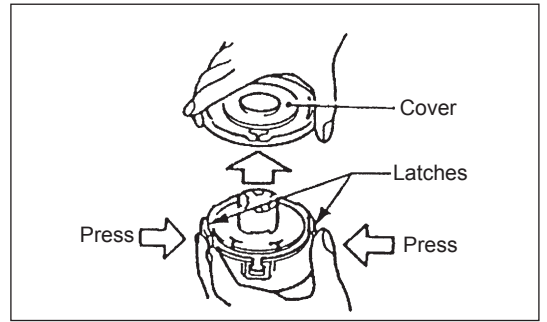
In reassembling after the engine is dismantled, be sure to replace the gaskets and packings with new ones.

Any maintenance of adjustment work that is not included and described in this manual is only to be performed by Authorized Service Agents.

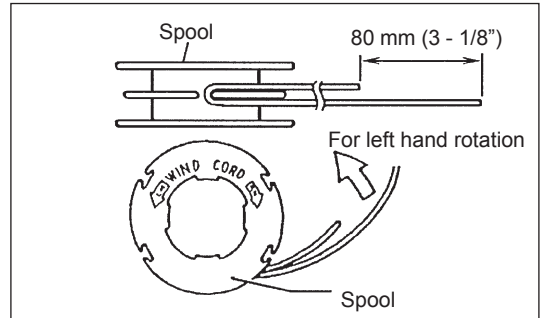
## Replacing the nylon cord

### (For ultra auto 4)

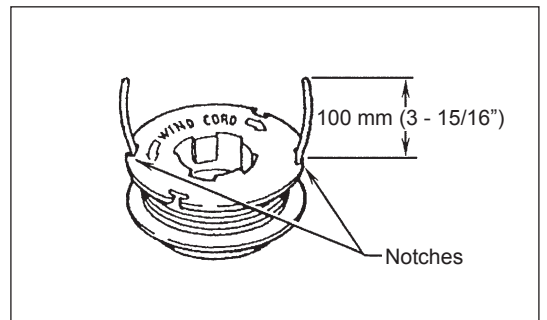
First, stop the engine.  
Press on the housing latches inward to lift off the cover, then remove the spool.



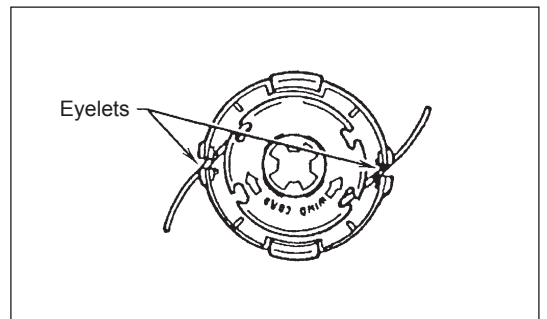
Hook the center of new nylon cord into the notch in the center of the spool, with one end of the cord extending about 80 mm (3 - 1/8") more than the other.  
Then wind both ends firmly around the spool in the direction of the head rotation (left-hand direction indicated by LH and right-hand direction by RH on the side of the spool).



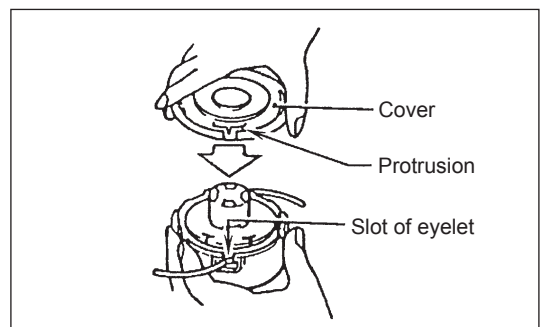
Wind all but about 100 mm (3 - 15/16") of the cords, leaving the ends temporarily hooked through a notch on the side of the spool.



Mount the spool in the housing so that the grooves and protrusions on the spool match up with those in the housing. Keep the side with letters on the spool visible on the top. Now, unhook the ends of the cord from their temporary position and feed the cords through the eyelets to come out of the housing.



Align the protrusion on the underside of the cover with the slots of the eyelets. Then push cover firmly onto the housing to secure it.

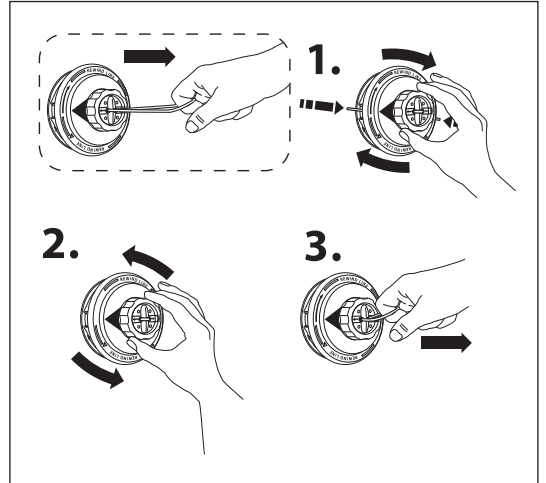


**(For Proulx)**

First, stop the engine.

Hold the housing securely and turn the spool clockwise until the remaining nylon cord retracts into the housing, and turn back and forth to relieve the cord stress.

Grasp the loop on top of the spool and pull it from the spool.



Prepare a nylon cord with the following specifications.

4.5 m (15 ft) length

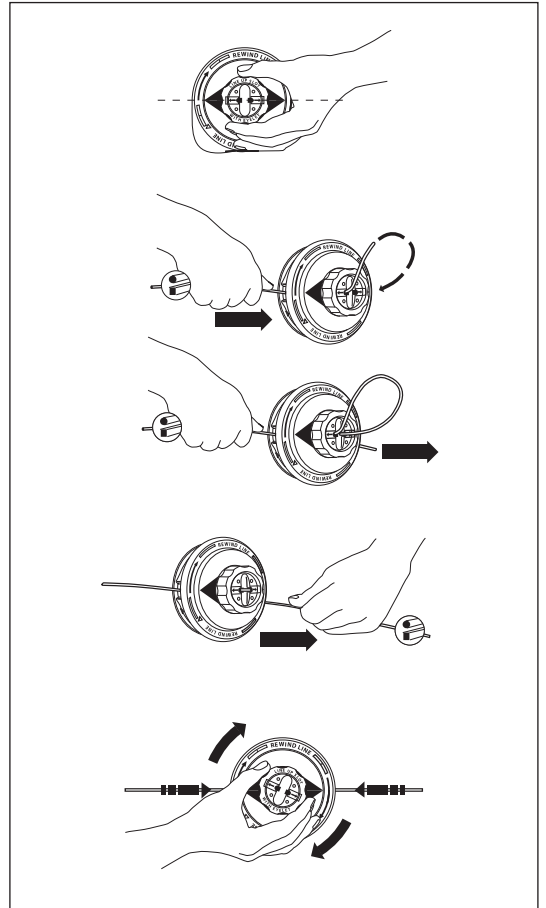
2.4 mm (0.095") diameter round cord or 2.0 mm (0.08") diagonal square cord.

Align the arrow on the spool with the eyelets on the housing.

Insert one end of the nylon cord into eyelet on the side of the housing, feed through hole on top of the spool and then re-insert into the second hole on top of the spool. Push the nylon cord into holes until the cord feeds through eyelets on side of the housing.

Push the nylon cord into holes feeding through eyelets on side of the housing until equal length on both sides.

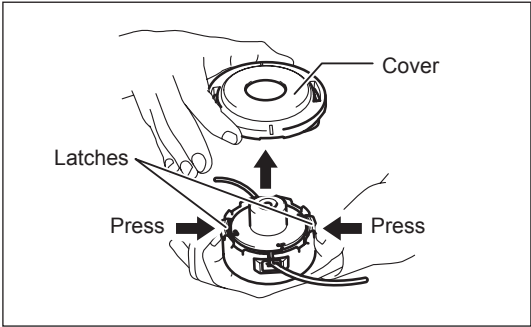
Hold the housing securely and turn the spool clockwise to wind the nylon cord into the spool.



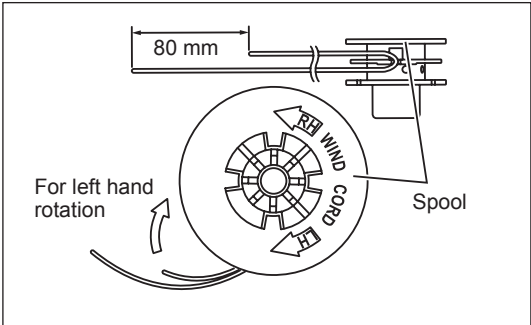
**(For B & F4/Z5)**

**WARNING:** Make sure that the cover of the nylon cutting head is secured to the housing properly as described below. Failure to properly secure the cover may cause the nylon cutting head to fly apart resulting in serious personal injury.

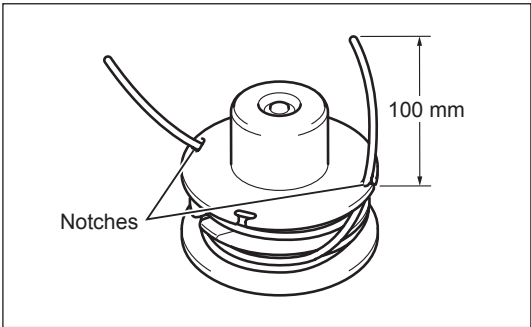
Press inward on the housing latches and lift upward to remove the cover. Discard any of the remaining nylon cord.



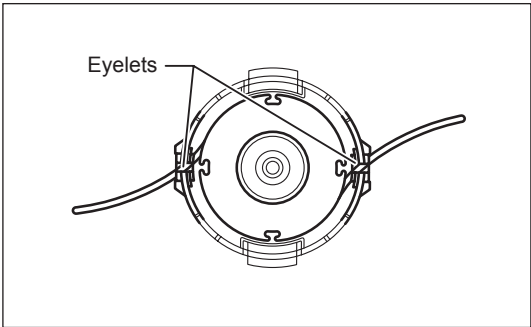
Hook the middle of the new nylon cord to the notch located at the center of the spool between the 2 channels provided for the nylon cord. One side of the cord should be about 80 mm longer than the other side. Wind both ends firmly around the spool in the direction left marked on the head for left hand direction indicated by LH.



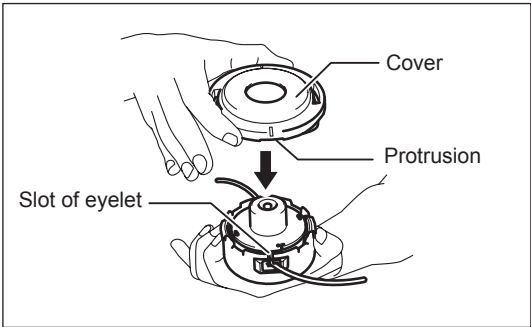
Wind all but about 100 mm of the cords, leaving the ends temporarily hooked through a notch on the side of the spool.



Mount the spool in the housing so that the grooves and protrusions on the spool match up with those in the housing. Keep the side with letters on the spool visible on the top. Now, unhook the ends of the cord from their temporary position and feed the cords through the eyelets to come out of the housing.



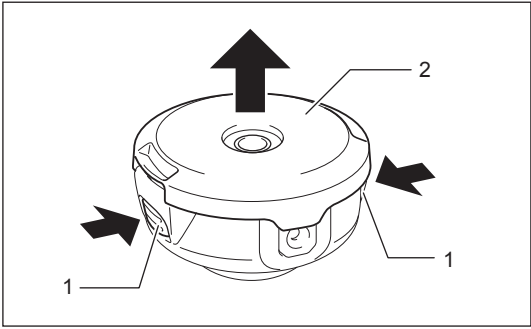
Align the protrusion on the underside of the cover with the slots of the eyelets. Then push cover firmly onto the housing to secure it. Make sure the latches fully spread in the cover.



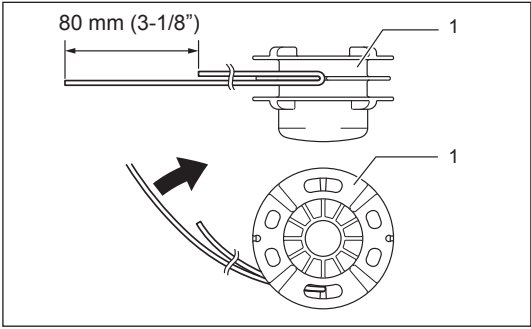


**(For Bump & Feed type)**

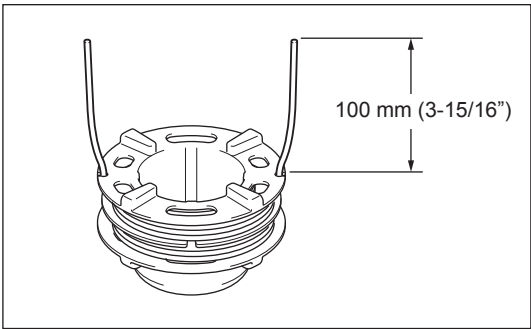
First, stop the engine.  
Press on the housing latches (1) inward to lift off the cover (2), then remove the spool.



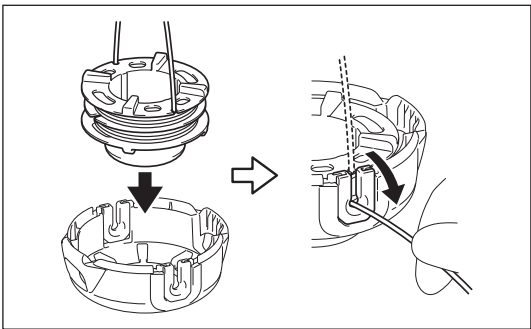
Hook the center of new nylon cord into the notch in the center of the spool (1), with one end of the cord extending about 80 mm (3 - 1/8") more than the other. Then wind both ends firmly around the spool in the direction of the head rotation (left-hand direction indicated by LH on the side of the spool).



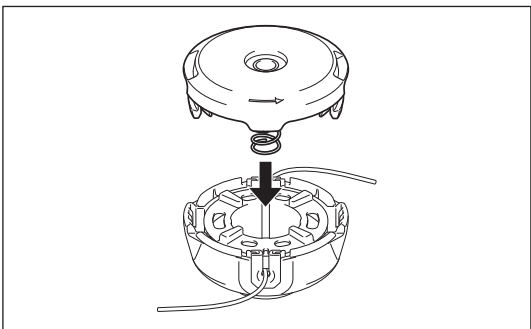
Wind all but about 100 mm (3 - 15/16") of the cords, leaving the ends temporarily hooked through a notch on the side of the spool.



Mount the spool in the housing so that the grooves and protrusions on the spool match up with those in the housing. Keep the side with letters on the spool visible on the top. Now, unhook the ends of the cord from their temporary position and feed the cords through the eyelets to come out of the housing.



Align the protrusion on the underside of the cover with the slots of the eyelets. Then push cover firmly onto the housing to secure it.



## STORAGE



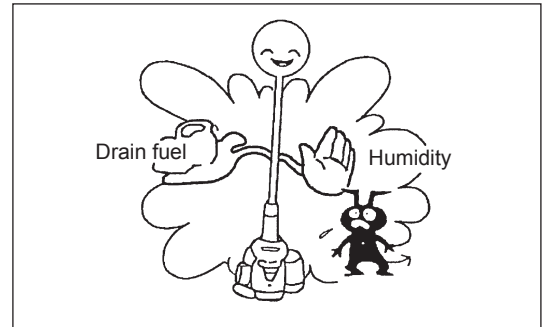
**WARNING: When draining the fuel, be sure to stop the engine and confirm that the engine cools down.**

Just after stopping the engine, it may still hot with possibility of burns, inflammability and fire.



**ATTENTION: When the machine is kept out of operation for a long time, drain up all fuel from the fuel tank and carburetor, and keep it at a dry and clean place.**

- Drain up fuel from the fuel tank and carburetor according to the following procedure:
  - 1) Remove the fuel tank cap, and drain fuel completely.  
If there is any foreign matter remaining in the fuel tank, remove it completely.
  - 2) Pull out the fuel filter from the refill port using a wire.
  - 3) Push the primer pump until fuel is drained from there, and drain fuel coming into the fuel tank.
  - 4) Reset the filter to the fuel tank, and securely tighten the fuel tank cap.
  - 5) Then, continue to operate the engine until it stops.
- Remove the spark plug, and drip several drops of engine oil through the spark plug hole.
- Gently pull the starter handle so that engine oil will spread over the engine, and attach the spark plug.
- Attach the cover to the cutter blade.
- During storage, keep the rod horizontal or keep the machine upright with the blade edge oriented upward. (In this case, pay full attention to prevent the machine from falling.)  
Never store the machine with the cutter blade edge oriented downward.  
Lubricating oil may spill out.
- Keep the drained fuel in a special container in a well-ventilated shade.



### Attention after long-time storage

- Before startup after long-time shutdown, be sure to replace oil (refer to P 19). Oil will deteriorate while the machine is kept out of operation.

### Fault location

Fault	System	Observation	Cause
Engine not starting or with difficulty	Ignition system	Ignition spark O.K.	Fault in fuel supply or compression system, mechanical defect
		No ignition spark	STOP-switch operated, wiring fault or short circuit, spark plug or connector defective, ignition module faulty
	Fuel supply	Fuel tank filled	Incorrect choke position, carburetor defective, fuel supply line bent or blocked, fuel dirty
	Compression	No compression when pulled over	Cylinder bottom gasket defective, crankshaft seals damaged, cylinder or piston rings defective or improper sealing of spark plug
Warm start problems	Mechanical fault	Starter not engaging	Broken starter spring, broken parts inside of the engine
		Tank filled ignition spark existing	Carburetor contaminated, have it cleaned
Engine starts but dies	Fuel supply	Tank filled	Incorrect idling adjustment, carburetor contaminated Fuel tank vent defective, fuel supply line interrupted, cable or STOP-switch faulty
Insufficient performance	Several systems may simultaneously be affected	Engine idling poor	Air filter contaminated, carburetor contaminated, muffler clogged, exhaust duct in the cylinder clogged

Item	Operating time	Before operation	After lubrication	Daily (10h)	30h	50h	200h	Shutdown/rest	Corresponding P
Engine oil	Inspect/clean	○							14
	Replace					○*1			19
Tightening parts (bolt, nut)	Inspect	○							21
Fuel tank	Clean/inspect	○							—
	Drain fuel							○*3	26
Throttle lever	Check function		○						—
Stop switch	Check function		○						18
Cutting blade	Inspect	○		○					12
Low-speed rotation	Inspect/adjust			○					18
Air cleaner	Clean			○					20
Ignition plug	Inspect			○					21
Cooling air duct	Clean/inspect			○					21
Fuel pipe	Inspect			○					21
	Replace						◎*2		—
Gear-case grease	Refill				○				21
Fuel filter	Clean/replace					○			21
Clearance between air intake valve and air discharge valve	Adjust						◎*2		—
Engine overhaul							◎*2		—
Carburetor	Drain fuel							○*3	26

\*1 Perform initial replacement after 20h operation.

\*2 For the 200 operating hour inspection, request Authorized Service Agent or a machine shop.

\*3 After emptying the fuel tank, continue to run the engine and drain fuel in the carburetor.

## TROUBLESHOOTING

Before making a request for repairs, check a trouble for yourself. If any abnormality is found, control your machine according to the description of this manual. Never tamper or dismount any part contrary to the description. For repairs, contact Authorized Service Agent or local dealership.

State of abnormality	Probable cause (malfunction)	Remedy
Engine does not start	Failure to operate primer pump	Push 7 to 10 times
	Low pulling speed of starter rope	Pull strongly
	Lack of fuel	Feed fuel
	Clogged fuel filter	Clean
	Broken fuel tube	Straighten fuel tube
	Deteriorated fuel	Deteriorated fuel makes starting more difficult. Replace with new one. (Recommended replacement: 1 month)
	Excessive suction of fuel	Set throttle lever from medium speed to high speed, and pull starter handle until engine starts. <b>Once engine starts, cutter blade starts rotating. Pay full attention to cutter blade.</b> If engine will not start still, remove spark plug, make electrode dry, and reassemble them as they originally are. Then, start as specified.
	Detached plug cap	Attach securely
	Contaminated spark plug	Clean
	Abnormal clearance of spark plug	Adjust clearance
	Other abnormality of spark plug	Replace
	Abnormal carburetor	Make request for inspection and maintenance.
	Starter rope cannot be pulled	Make request for inspection and maintenance.
	Abnormal drive system	Make request for inspection and maintenance.
Engine stops soon Engine speed does not increase	Insufficient warm-up	Perform warm-up operation
	Choke lever is set to "CLOSE" although engine is warmed up.	Set to "OPEN"
	Clogged fuel filter	Clean
	Contaminated or clogged air cleaner	Clean
	Abnormal carburetor	Make request for inspection and maintenance.
	Abnormal drive system	Make request for inspection and maintenance.
Cutter blade does not rotate ↓ Stop engine immediately	Loosened cutter blade-tightening nut	Tighten securely
	Twigs caught by cutter blade or dispersion-preventing cover.	Remove foreign matter
	Abnormal drive system	Make request for inspection and maintenance.
Main unit vibrates abnormally ↓ Stop engine immediately	Broken, bent or worn cutter blade	Replace cutter blade
	Loosened cutter blade-tightening nut	Tighten securely
	Shifted convex part of cutter blade and cutter blade support fitting.	Attach securely
	Abnormal drive system	Make request for inspection and maintenance.
Cutter blade does not stop immediately ↓ Stop engine immediately	High idling rotation	Adjust
	Detached throttle wire	Attach securely
	Abnormal drive system	Make request for inspection and maintenance.
Engine does not stop ↓ Run engine at idling, and set choke lever to CLOSE	Detached connector	Attach securely
	Abnormal electric system	Make request for inspection and maintenance.

When the engine does not start after warm-up operation:

If there is no abnormality found for the check items, open the throttle by about 1/3 and start the engine.

Merci infiniment d'avoir acheté la débroussailleuse thermique MAKITA. Nous sommes heureux de vous recommander la débroussailleuse thermique MAKITA qui est le fruit d'un long programme de développement et de nombreuses années de connaissances et d'expérience. Veuillez lire ce document, il décrit en détails les performances remarquables de cette machine. Il vous permettra d'exploiter au mieux votre débroussailleuse thermique MAKITA.



Table des matières	Page
Pictogrammes.....	29
Consignes de sécurité.....	30
Données techniques.....	34
Désignation des pièces.....	36
Montage de la poignée.....	37
Montage du protecteur.....	38
Montage de la lame de coupe ou de la tête à fils nylon...	39
Avant utilisation.....	41
Manipulation correcte de la machine.....	43
Remarques concernant le fonctionnement et l'arrêt de la machine.....	44
Instructions d'entretien.....	46
Entreposage.....	53

## PICTOGRAMMES

Vous verrez les pictogrammes suivants en lisant le manuel d'instructions.

	Lisez le manuel d'instructions, et respectez les avertissements et mesures de sécurité!		Casque de protection, protections oculaire et auditive obligatoires!
	Faites particulièrement attention!		Vitesse d'outil maximale autorisée
	Interdit!		Carburant (essence)
	Ne pas s'approcher!		Démarrage manuel du moteur
	Danger de projections!		Arrêt d'urgence
	Défense de fumer!		Premiers soins
	Flamme nue interdite!		Recyclage
	Gants de protection obligatoires!		MARCHE/DÉMARRAGE
	Portez des bottes solides avec semelles antidérapantes. Des bottes de sécurité avec embout d'acier sont recommandées!		ARRÊT/COUPURE MACHINE
	Mouvement de recul!		
	Zone de fonctionnement interdite aux individus et aux animaux!		

## CONSIGNES DE SÉCURITÉ

### Consignes générales

- Afin de garantir le bon fonctionnement de la machine, l'utilisateur doit lire le présent manuel d'instructions pour se familiariser avec la manipulation de la débroussailleuse thermique. S'ils ne sont pas suffisamment informés, les utilisateurs qui manipulent la machine de façon incorrecte représentent un danger pour eux-mêmes comme pour les autres.
- Il n'est pas conseillé de prêter la débroussailleuse thermique à des individus qui n'en maîtrisent pas la manipulation. Remettez toujours le manuel d'instructions avec la machine.
- Les utilisateurs inexpérimentés doivent demander des instructions de base au vendeur afin de se familiariser avec la manipulation d'une machine de coupe à moteur.
- Les enfants et les mineurs ne sont pas autorisés à manipuler une débroussailleuse thermique. Les individus âgés de plus de 16 ans peuvent toutefois utiliser la machine en vue d'apprentissage, mais toujours sous la surveillance d'une personne qualifiée.
- Utilisez la débroussailleuse thermique avec la plus extrême précaution.
- N'utilisez la débroussailleuse thermique que si vous êtes en bonne condition physique. Manipulez délicatement et soigneusement la machine. L'utilisateur doit endosser la responsabilité du fait d'autrui.
- N'utilisez jamais la débroussailleuse thermique après avoir consommé de l'alcool ou des médicaments, ou si vous vous sentez fatigué ou malade.
- Dans certains pays, la réglementation peut imposer des restrictions à l'utilisation de la machine.

### Utilisation normale de la machine

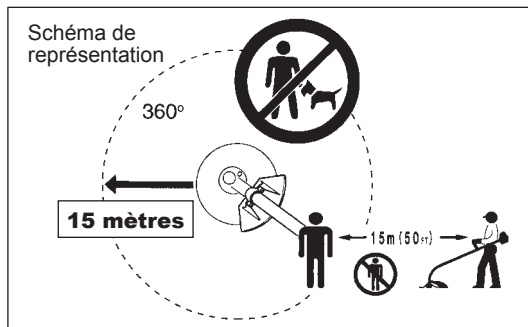
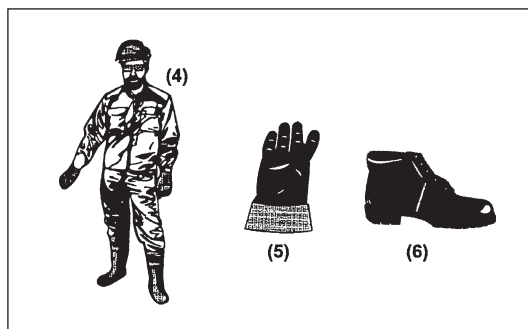
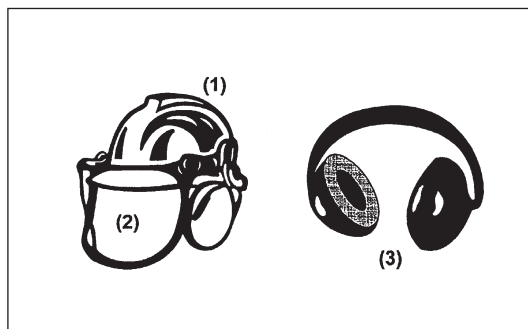
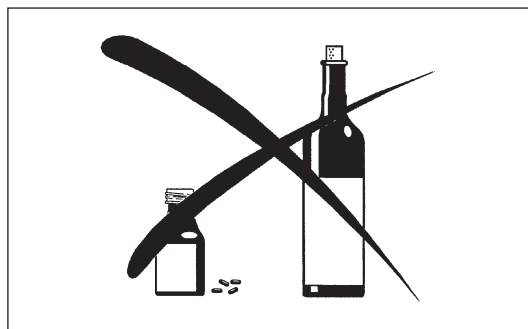
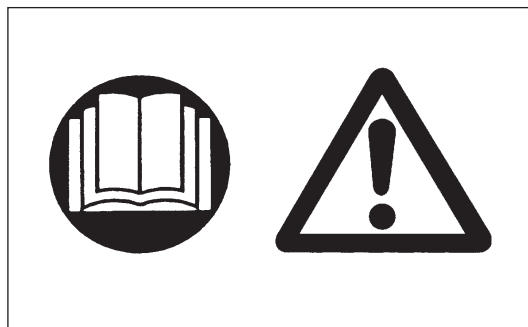
- La débroussailleuse thermique n'est destinée qu'à la coupe de l'herbe, des mauvaises herbes, des buissons, des broussailles et pas à la taille de haies car cela pourrait entraîner des blessures.

### Équipement de protection personnel

- La tenue portée doit être fonctionnelle et appropriée, autrement dit elle doit être ajustée et ne pas entraver les mouvements. Ne portez pas de bijoux ni de vêtements qui pourraient s'accrocher dans les buissons ou les arbustes.
- Afin d'éviter les blessures à la tête, aux yeux, aux mains ou aux pieds et de protéger votre audition, vous devez porter l'équipement et les vêtements de protection indiqués ci-contre lorsque vous manipulez la débroussailleuse thermique.
- Portez toujours un casque s'il y a un risque de projection d'objets. Le casque de protection (1) doit être inspecté fréquemment en vue d'éventuels dommages et doit être remplacé au moins tous les 5 ans. Utilisez uniquement des casques de protection homologués.
- La visière-écran (2) du casque (ou à défaut les lunettes étanches) protège le visage des projections de débris et de pierres. Lorsque vous manipulez la débroussailleuse thermique, vous devez toujours porter des lunettes étanches ou une visière-écran afin d'éviter des blessures oculaires.
- Portez un équipement anti-bruit adéquat afin d'éviter une perte auditive (protège-oreilles (3), bouchons d'oreilles, etc.).
- La combinaison de travail (4) vous protège des projections de débris et de pierres. Il est vivement conseillé à l'utilisateur de porter une combinaison de travail.
- Des gants spéciaux (5) constitués de cuir épais font partie de l'équipement conseillé et doivent toujours être portés en cas d'utilisation de la débroussailleuse thermique.
- Lorsque vous utilisez la débroussailleuse thermique, portez toujours des chaussures solides (6) avec semelle antidérapante. Cela vous préservera des blessures et vous assurera une bonne stabilité.

### Démarrage de la débroussailleuse thermique à essence

- Veillez à éloigner les enfants ou toute autre personne dans une zone de travail de 15 mètres (50 pieds), et faites également attention aux animaux présents dans cette zone.
- Procédez toujours à une vérification de la débroussailleuse thermique avant utilisation :  
Vérifiez la sécurité de l'outil de coupe, ainsi que le bon fonctionnement du levier de commande et de son verrouillage.
- La rotation de l'outil de coupe en fonctionnement de ralenti est impossible. Vérifiez le réglage auprès de votre vendeur en cas de doute. Vérifiez que les poignées sont propres et sèches, et testez le fonctionnement du commutateur marche/arrêt.

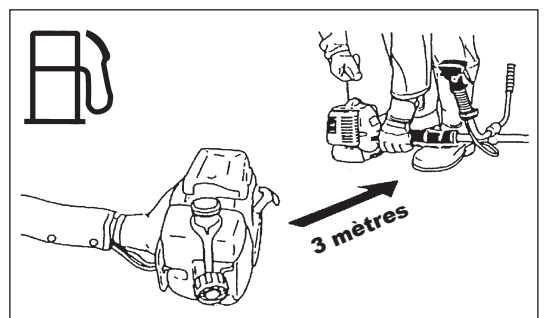
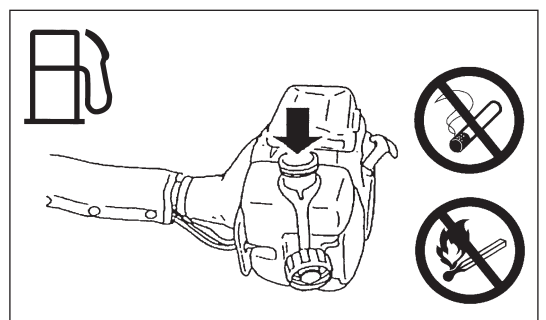
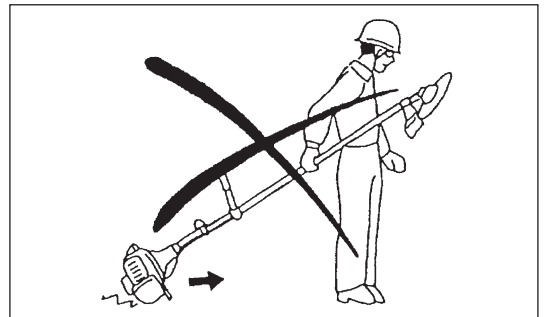
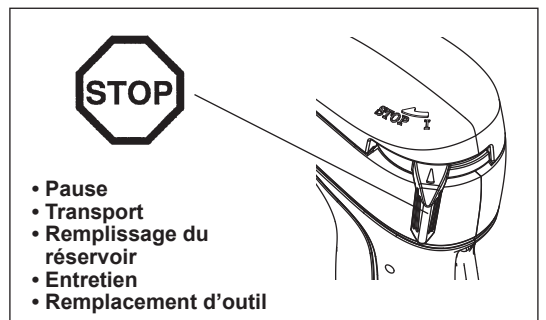
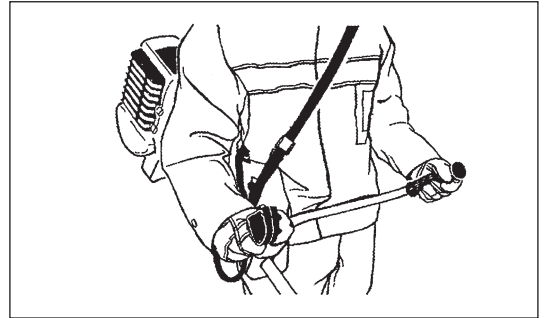
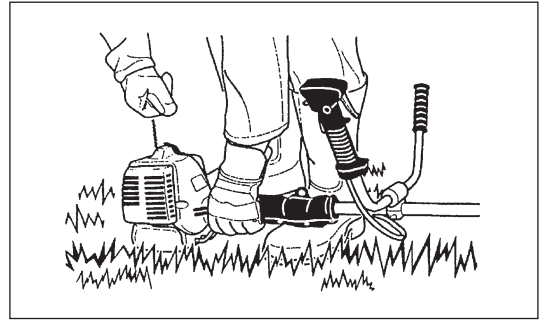


Démarrez la débroussailleuse thermique conformément aux instructions.

- Ne démarrez pas le moteur d'une autre façon!
- N'utilisez la débroussailleuse thermique et ses outils que pour l'utilisation à laquelle ils sont destinés.
- Ne démarrez le moteur de la débroussailleuse thermique qu'après avoir assemblé le tout. Le fonctionnement de la machine n'est possible qu'une fois tous les accessoires correctement fixés!
- Avant de démarrer, veillez à ce que l'outil de coupe ne soit pas en contact avec des objets durs tels que des branches, des pierres, etc., cela pourrait le faire basculer au démarrage.
- Vous devez couper immédiatement le moteur en cas de problèmes de ce dernier.
- Si l'outil de coupe heurte des pierres ou des objets durs, coupez immédiatement le moteur et inspectez l'outil de coupe.
- Inspectez fréquemment l'outil de coupe en vue d'éventuels dommages (détection de craquelures grâce à un test de bruit de battement).
- Ne faites fonctionner la débroussailleuse thermique que lorsque la sangle d'épaule est fixée et correctement ajustée. La sangle d'épaule doit être ajustée à la taille de l'utilisateur afin d'éviter une fatigue à l'utilisation. Ne saisissez jamais l'outil de coupe à la main en cours de fonctionnement.
- Tenez toujours la débroussailleuse thermique avec les deux mains en cours de fonctionnement. Assurez-vous toujours de votre stabilité.
- Lorsque vous utilisez la débroussailleuse thermique, veillez à ne pas inhaler les gaz d'échappement. Ne faites jamais fonctionner le moteur dans des pièces fermées (risque d'asphyxie au gaz). Le monoxyde de carbone est un gaz inodore.
- Coupez le moteur lorsque vous cessez l'utilisation et que vous laissez la débroussailleuse thermique sans surveillance, puis rangez la machine dans un endroit sûr afin de ne pas l'endommager ni de blesser qui que ce soit.
- Ne posez jamais la débroussailleuse thermique encore chaud sur de l'herbe sèche ou sur des matières combustibles.
- L'outil de coupe doit être équipé de sa gaine de protection. Ne faites jamais fonctionner l'outil de coupe sans cette gaine!
- Toutes les protections et gaines fournies avec la machine doivent être utilisées au cours du fonctionnement.
- Ne faites jamais tourner le moteur avec un silencieux d'échappement défectueux.
- Coupez le moteur durant le transport.
- Pour un transport sur de longues distances, les protections d'outils fournies avec l'équipement doivent toujours être en place.
- Veillez à stabiliser la débroussailleuse thermique lors du transport en voiture afin d'éviter les fuites d'essence.
- Lorsque vous transportez la débroussailleuse thermique, veillez à ce que le réservoir d'essence soit totalement vide.
- Lorsque vous déchargez la débroussailleuse thermique d'un camion, ne faites pas tomber le moteur sur le sol, cela pourrait endommager sérieusement le réservoir d'essence.
- Sauf en cas d'urgence, ne faites jamais tomber ou ne lâchez jamais la débroussailleuse thermique sur le sol, cela pourrait l'endommager sérieusement.
- Ne traînez pas l'équipement sur le sol lorsque vous le transportez. Il est très dangereux de faire traîner le réservoir d'essence, cela pourrait l'endommager, provoquer une fuite d'essence et peut-être un feu.

### Remplissage du réservoir

- Coupez le moteur pendant le remplissage du réservoir, éloignez-vous de toute flamme et ne fumez pas.
- Évitez tout contact des produits pétroliers avec la peau. N'inhaliez pas les vapeurs d'essence. Portez toujours des gants de protection pendant le remplissage du réservoir. Changez et nettoyez souvent les vêtements de protection.
- Veillez à ne pas renverser l'essence ou l'huile afin de ne pas contaminer les sols (protection de l'environnement). Nettoyez la débroussailleuse thermique immédiatement après avoir renversé de l'essence.
- Évitez les projections d'essence sur vos vêtements. Changez immédiatement vos vêtements en cas de projection d'essence (pour éviter qu'ils ne s'enflamment).
- Inspectez régulièrement le bouchon du réservoir d'essence pour vous assurer qu'il se ferme correctement et qu'il ne fuit pas.
- Serrez bien le bouchon du réservoir d'essence. Déplacez-vous pour démarrer le moteur (à au moins 3 mètres du lieu de remplissage du réservoir).
- Ne remplissez jamais le réservoir dans une pièce fermée. Les vapeurs d'essence s'accablent au ras du sol (risque d'explosions).
- Ne transportez et ne conservez l'essence que dans des contenants appropriés. Veillez à conserver l'essence hors de portée des enfants.



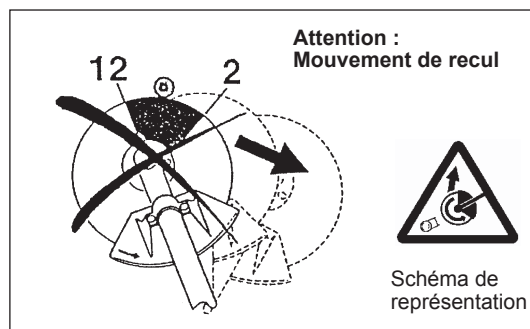
## Mode de fonctionnement

- N'utilisez la débroussailleuse thermique qu'en pleine lumière et avec une bonne visibilité. En hiver, faites attention aux sols glissants et aux zones humides, à la glace et à la neige (risque de glissade). Assurez-vous toujours de votre stabilité.
- Ne levez pas la machine plus haut que votre taille.
- N'utilisez jamais la débroussailleuse thermique en vous tenant sur une échelle.
- Ne grimpez pas dans un arbre pour utiliser la débroussailleuse thermique.
- Ne travaillez pas sur des surfaces instables.
- Retirez le sable, les pierres, les clous, etc. qui se trouvent dans la zone d'utilisation de la machine.  
Les corps étrangers peuvent endommager l'outil de coupe et provoquer de dangereux mouvements de recul.
- Avant de commencer la coupe, l'outil de coupe doit avoir atteint sa pleine vitesse de travail.



## Mouvement de recul

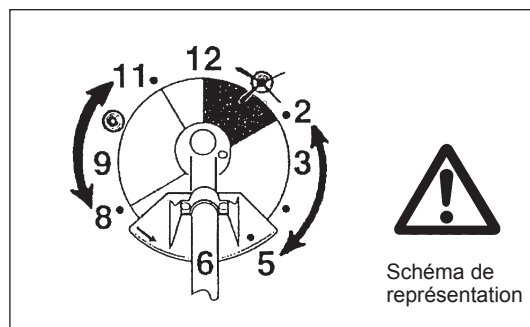
- Lorsque vous utilisez la débroussailleuse thermique à essence, un mouvement de recul incontrôlable peut se produire.
- Cela arrive notamment lorsque vous essayez de couper avec un segment de lame compris entre 12 et 2 heures.
- N'appliquez jamais la débroussailleuse thermique à essence avec un segment compris entre 12 et 2 heures.
- N'appliquez jamais ce segment de lame de la débroussailleuse thermique à essence sur des corps solides, tels que des buissons, des arbres, etc., ayant un diamètre de plus de 3 cm sans quoi la débroussailleuse thermique à essence serait violemment détournée, et vous risqueriez de vous blesser.



## Prévention des mouvements de recul

### Afin d'éviter les mouvements de recul, observez les consignes suivantes :

- Un fonctionnement avec un segment de lame compris entre 12 et 2 heures présente un grand danger, particulièrement avec des outils de coupe métalliques.
- La coupe avec un segment de lame compris entre 11 et 12 heures, et entre 2 et 5 heures, ne doit être réalisée que par des opérateurs chevronnés, et uniquement à leurs risques et périls.  
Une coupe facile quasiment sans mouvement de recul est possible avec un segment de lame compris entre 8 et 11 heures.

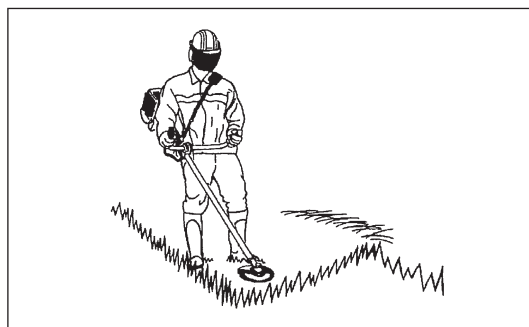


## Outils de coupe

Utilisez uniquement l'outil de coupe qui convient à la tâche que vous entreprenez.

EBH252U, EBH253U, EBH252L, EBH253L, avec lame de coupe, tête à fils nylon

Pour couper des végétaux épais, tels que les mauvaises herbes, les herbes hautes, les buissons, les arbustes, le mort-bois, le gaulis, etc. (épaisseur de diamètre maximale 2 cm). Pour réaliser ce type de coupe, déplacez latéralement la débroussailleuse thermique à essence en décrivant des demi-cercles égaux de droite à gauche (comme si vous utilisiez une faux).



## Consignes d'entretien

- Vous devez vérifier l'état de l'outil de coupe, des protections et de la sangle d'épaule, avant de commencer à travailler. Prêtez particulièrement attention aux lames de coupe qui doivent être correctement affûtées.
- Coupez le moteur et retirez le connecteur de la bougie d'allumage lorsque vous remplacez ou affûtez les outils de coupe, et également lorsque vous les nettoyez.



## Ne réparez ni ne soudez jamais des outils de coupe endommagés.

- Veillez à engendrer le moins de bruit et de contamination possible lorsque vous utilisez la débroussailleuse thermique. Vérifiez notamment le bon réglage du carburateur.
- Nettoyez régulièrement la débroussailleuse thermique et vérifiez que les vis et les écrous sont bien serrés.
- Ne réparez ni n'entrez jamais la débroussailleuse thermique à proximité d'une flamme nue.
- Entrez toujours la débroussailleuse thermique dans des pièces fermées à clé et après avoir vidé le réservoir d'essence.



Respectez les consignes de prévention des accidents fournies par les associations professionnelles ainsi que par les compagnies d'assurance concernées.

Ne modifiez rien sur la débroussailleuse thermique, cela pourrait compromettre votre sécurité.

L'entretien ou les réparations réalisables par l'utilisateur sont ceux décrits dans le manuel d'instructions. Tout autre travail doit être réalisé par un technicien agréé. N'utilisez que des pièces de rechange et accessoires fabriqués et vendus par MAKITA.

L'utilisation d'accessoires et outils non agréés accroît le risque d'accidents.

MAKITA décline toute responsabilité en cas d'accidents ou de dommages du fait de l'utilisation d'outils de coupe, de dispositifs de fixation d'outils de coupe ou d'accessoires non agréés.

## Premiers soins

En cas d'accident, veillez à avoir une trousse de premiers soins non loin de la zone de travail. Remplacez sans délai tout article utilisé dans la trousse de premiers soins.

## Si vous demandez de l'aide, veillez à donner les informations suivantes :

- Lieu de l'accident
- Conditions de l'accident
- Nombre de personnes blessées
- Type de blessures
- Votre nom



## Emballage

La débroussailleuse thermique MAKITA sont livrés dans deux boîtes en carton afin d'éviter tout dommage dû au transport. Le carton est une matière première de base, il est donc réutilisable ou adapté au recyclage (recyclage du papier).



## DONNÉES TECHNIQUES EBH252U, EBH252L

Modèle	EBH252U		EBH252L	
	Guidon		Poignée arceau	
Dimensions : longueur x largeur x hauteur (hors lame de coupe) mm	1 770 x 620 x 490		1 770 x 330 x 275	
Poids (hors gaine plastique et lame de coupe) kg	5,7		5,3	
Volume (réservoir d'essence) l	0,5			
Volume (réservoir d'huile) l	0,08			
Cylindrée cm <sup>3</sup>	24,5			
Rendement maximal du moteur kw	0,71 à 7 000 min <sup>-1</sup>			
Vitesse moteur à la vitesse de broche maximale recommandée min <sup>-1</sup>	8 500			
Vitesse de broche maximale (correspondante) min <sup>-1</sup>	6 500			
Consommation d'essence maximale kg/h	0,33			
Consommation d'essence spécifique maximale g/kwh	408			
Vitesse au ralenti min <sup>-1</sup>	3 000			
Carburateur type	WALBRO WYL			
Système d'allumage type	Allumage transistorisé			
Bougie d'allumage type	NGK CMR4A			
Distance entre les électrodes mm	0,7 - 0,8			
Filtre	Essence automobile			
Huile moteur	SAE 10W-30 huile de classification API, classe SF ou supérieure (moteur automobile à 4 temps)			
Outils de coupe (Diamètre de la lame de coupe) mm	230			
Rapport de transmission	14/19			

(Pour le Canada)

NOTE : Ce système d'allumage par étincelle de véhicule est conforme à la norme NMB-002 du Canada.

## DONNÉES TECHNIQUES EBH253U, EBH253L

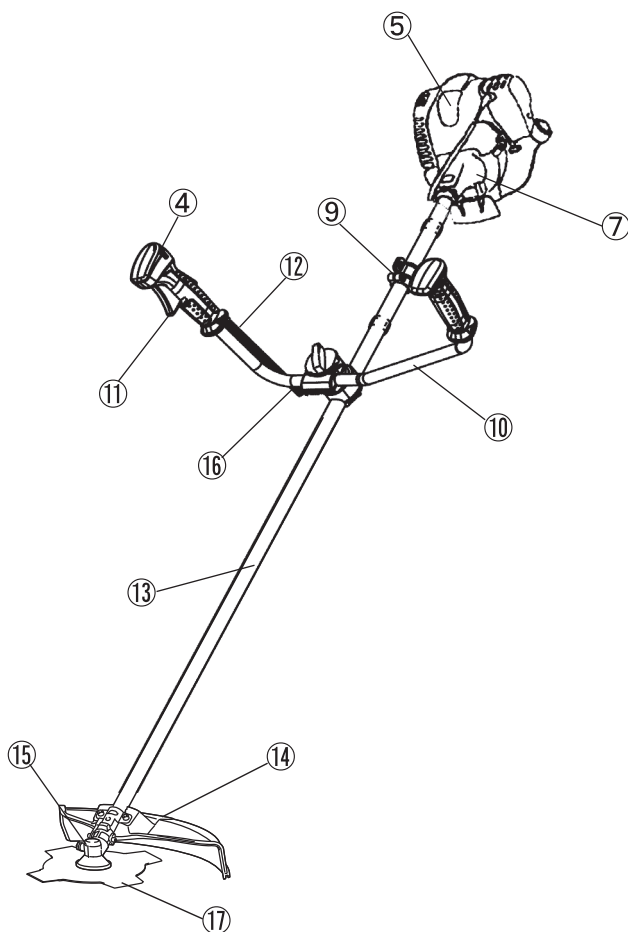
Modèle	EBH253U		EBH253L	
	Guidon		Poignée arceau	
Dimensions : longueur x largeur x hauteur (hors lame de coupe) mm	1 770 x 620 x 490		1 770 x 330 x 275	
Poids (hors gaine plastique et lame de coupe) kg	5,9		5,4	
Volume (réservoir d'essence) l	0,5			
Volume (réservoir d'huile) l	0,08			
Cylindrée cm <sup>3</sup>	24,5			
Rendement maximal du moteur kw	0,71 à 7 000 min <sup>-1</sup>			
Vitesse moteur à la vitesse de broche maximale recommandée min <sup>-1</sup>	8 500			
Vitesse de broche maximale (correspondante) min <sup>-1</sup>	6 500			
Consommation d'essence maximale kg/h	0,33			
Consommation d'essence spécifique maximale g/kwh	408			
Vitesse au ralenti min <sup>-1</sup>	3 000			
Carburateur type	WALBRO WYL			
Système d'allumage type	Allumage transistorisé			
Bougie d'allumage type	NGK CMR4A			
Distance entre les électrodes mm	0,7 - 0,8			
Filtre	Essence automobile			
Huile moteur	SAE 10W-30 huile de classification API, classe SF ou supérieure (moteur automobile à 4 temps)			
Outils de coupe (Diamètre de la lame de coupe) mm	230			
Rapport de transmission	14/19			

(Pour le Canada)

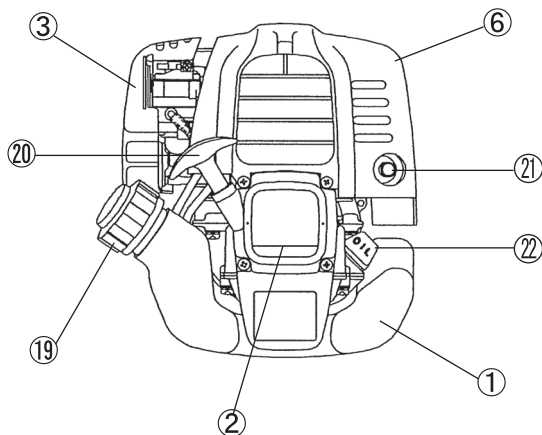
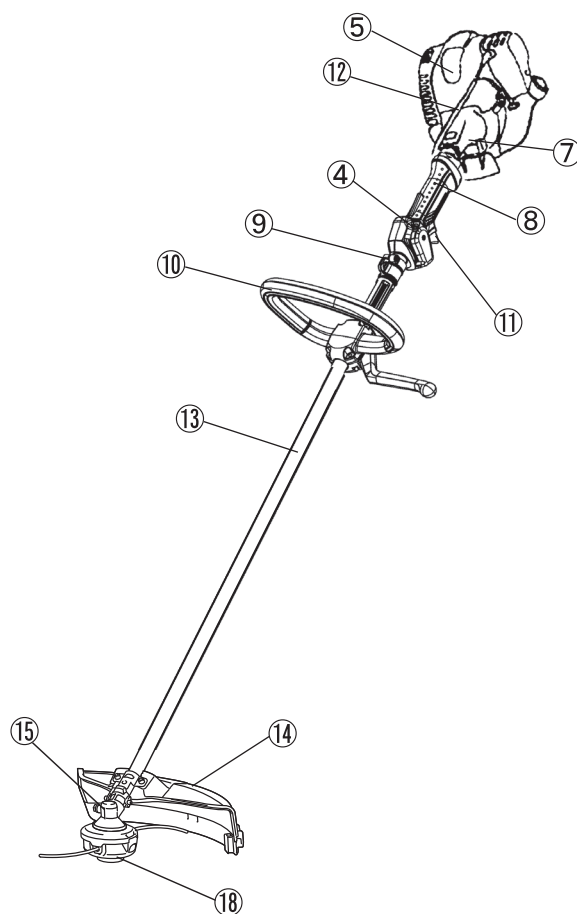
NOTE : Ce système d'allumage par étincelle de véhicule est conforme à la norme NMB-002 du Canada.

## DÉSIGNATION DES PIÈCES

**EBH252U  
EBH253U**



**EBH252L  
EBH253L**



F	DÉSIGNATION DES PIÈCES
1	Réservoir d'essence
2	Démarrreur à rappel
3	Filtre à air
4	Commutateur (marche/arrêt)
5	Bougie d'allumage
6	Silencieux d'échappement
7	Carter d'embrayage
8	Poignée arrière
9	Étrier de fixation
10	Poignée
11	Levier de commande
12	Câble de commande
13	Axe
14	Protecteur
15	Carter d'engrenage/Carter de la tête
16	Support de la poignée
17	Lame de coupe
18	Tête à fils nylon
19	Bouchon du réservoir d'essence
20	Poignée de démarrage
21	Tuyau d'échappement
22	Jauge d'huile

## MONTAGE DE LA POIGNÉE

ATTENTION: Avant de manipuler la débroussailleuse thermique à essence, coupez toujours le moteur et retirez le connecteur de la bougie d'allumage!

Portez toujours des gants de protection!

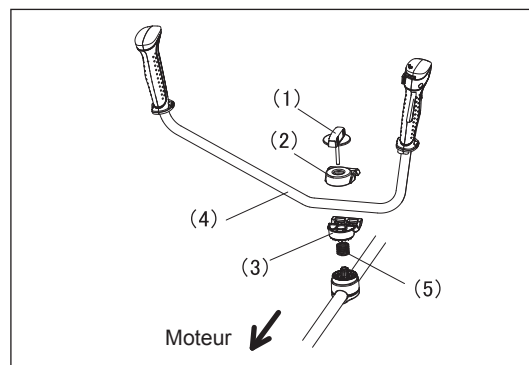
ATTENTION: Ne démarrez la débroussailleuse thermique à essence qu'après l'avoir entièrement assemblée.



### Pour les machines avec guidon

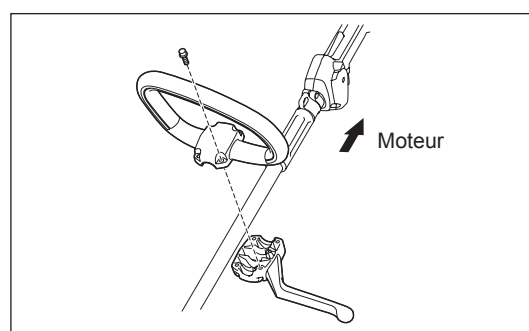
- Desserrez la molette (1).
- Placez le guidon (4) entre la pièce de serrage (2) et le support (3).
- Réglez le guidon (4) à un angle qui permet une position de travail confortable et fixez-le solidement en serrant la molette (1) à la main.

ATTENTION: N'oubliez pas de monter le ressort (5).



### Pour les machines avec poignée arceau

- Fixez une barre de retenue sur le côté gauche de la machine et à la poignée pour la protection de l'opérateur.
- Ne placez pas la poignée arceau trop près de la poignée de commande. Laissez au moins 250 mm entre la poignée arceau et la poignée de commande.
- (Un collier de séparation est fourni dans ce but.)



## MONTAGE DU PROTECTEUR

### AVERTISSEMENT :

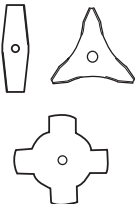

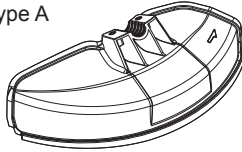
Utilisez toujours l'outil avec l'ensemble d'équipements de sécurité homologué. Si vous ne le faites pas, un contact avec l'outil de coupe peut entraîner des blessures graves.

### ATTENTION :

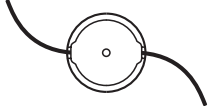
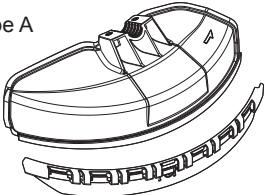

Serrez de la même façon les boulons de droite et de gauche afin qu'il y ait le même écart entre la pièce de serrage et le protecteur. Dans le cas contraire, le protecteur pourrait ne pas fonctionner comme prévu.

Afin de respecter les consignes de sécurité en vigueur, vous ne devez utiliser que les ensembles outil/protecteur indiqués dans le tableau.

### Utilisation d'une lame métallique

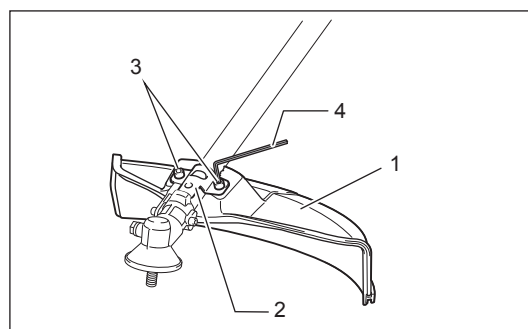
Lame métallique	La rondelle de serrage, le manchon et l'écrou sont nécessaires	Protecteur
		<p>Type A</p> 

### Utilisation de la tête à fils nylon

Tête à fils nylon	Protecteur	
	<p>Type A</p> 	<p>Type B</p> 

### Pour lame métallique

Fixez le protecteur de type A (1) à la pièce de serrage (2) avec deux boulons M6 x 25 (3) à l'aide de la clé hexagonale 5 (4).



### Pour tête à fils nylon (pour protecteur de type A)

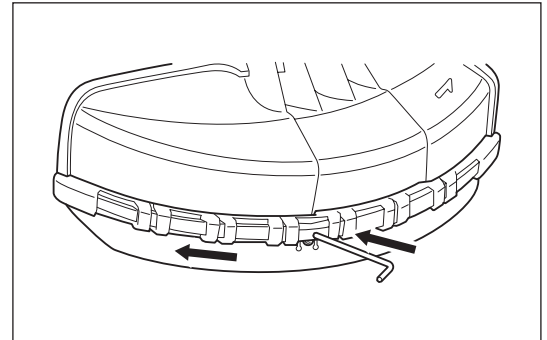
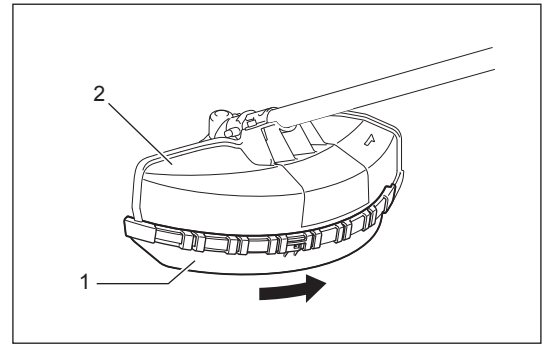
**ATTENTION :**

Veillez à enfoncer l'extension du protecteur (1) jusqu'à ce qu'elle soit bien en place.  
Autrement, l'extension du protecteur pourrait tomber et entraîner des blessures.

**ATTENTION :**

Prenez garde à ne pas vous blesser avec le dispositif de coupe du fil de nylon.

1. Fixez le protecteur à la pièce de serrage à l'aide de deux boulons M6 x 25.
2. Montez l'extension du protecteur (1) en la faisant glisser à sa place depuis le côté du protecteur de lame métallique (2).
3. Retirez l'adhésif du dispositif de coupe des fils nylon, sur l'extension du protecteur.
4. Pour retirer l'extension du protecteur, placez une clé hexagonale 4 dans l'encoche sur le protecteur de lame métallique et appuyez dessus tout en faisant glisser l'extension du protecteur.

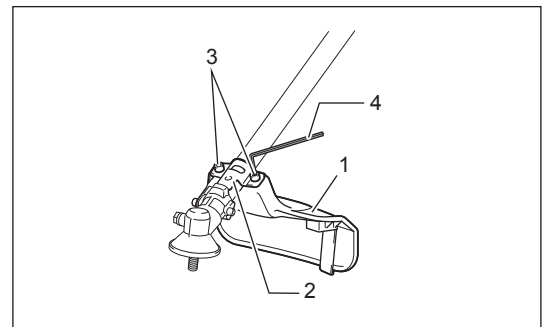


### Pour tête à fils nylon (pour protecteur de type B)

**ATTENTION :**

Prenez garde à ne pas vous blesser avec le dispositif de coupe du fil de nylon.

Fixez le protecteur (1) à la pièce de serrage (2) avec deux boulons M6 x 25 (3) à l'aide de la clé hexagonale 5 (4).



## MONTAGE DE LA LAME DE COUPE OU DE LA TÊTE À FILS NYLON

**ATTENTION :**

**Veillez à utiliser des lames de coupe ou une tête à fils nylon MAKITA.**

- La lame de coupe doit être correctement polie, et n'être ni craquelée, ni brisée. Si la lame de coupe heurte une pierre durant le fonctionnement, coupez le moteur et vérifiez immédiatement l'état de la lame.
- Polissez ou remplacez la lame de coupe toutes les trois heures d'utilisation.
- Si la tête à fils nylon heurte une pierre durant le fonctionnement, coupez le moteur et vérifiez immédiatement l'état de la tête à fils nylon.

**ATTENTION :**

Le diamètre extérieur de la lame de coupe doit être de 230 mm (9 1/16 po). N'utilisez jamais de lames dont le diamètre extérieur est supérieur à 230 mm (9 1/16 po).

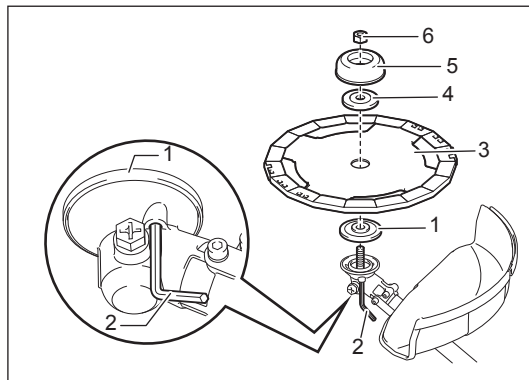
Retournez la machine pour remplacer facilement la lame de coupe ou la tête à fils nylon.

## Installation de la lame métallique

### ATTENTION :

Portez toujours des gants et placez le cache-lame sur la lame métallique lorsque vous manipulez la lame de coupe.

1. Installez la rondelle d'appui (1) sur l'arbre d'entraînement.
2. Insérez la clé hexagonale 4 (2) dans l'orifice du carter d'engrenage et faites tourner la rondelle d'appui (1) à l'aide de la clé hexagonale jusqu'à ce qu'elle soit verrouillée.
3. Montez la lame métallique (3) sur l'axe de façon à ce que le guide de la rondelle d'appui (1) s'insère dans l'alésage central de la lame métallique.
4. Placez la rondelle de serrage (4), le manchon (5) et fixez la lame de coupe en faisant tourner l'écrou (6) dans le sens inverse des aiguilles d'une montre. [Couple de serrage : 13 à 23 N-m]
5. Retirez la clé hexagonale lorsque l'installation de la lame métallique est terminée.

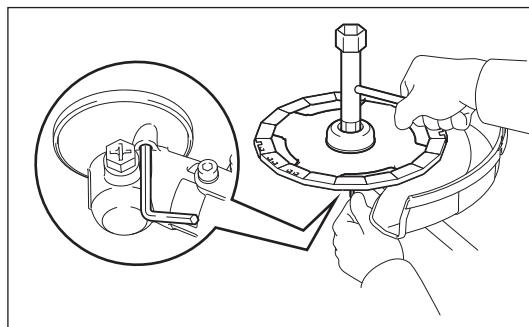


Pour enlever la lame métallique, procédez comme suit :

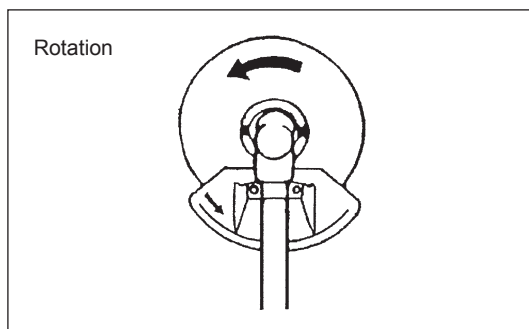
1. Insérez la clé hexagonale dans l'orifice du carter d'engrenage et faites tourner la rondelle d'appui à l'aide de la clé hexagonale jusqu'à ce qu'elle soit verrouillée.
2. En tournant dans le sens des aiguilles d'une montre, desserrez l'écrou avec la clé à douille et retirez l'écrou, le manchon, la rondelle de serrage et la clé hexagonale.

### REMARQUE :

L'écrou de fixation de la lame de coupe (doté d'une rondelle frein) s'use avec le temps. Remplacez l'écrou en cas d'usure ou de déformation de la rondelle frein.

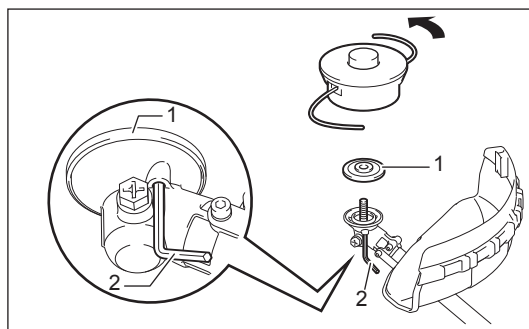


Veillez à ce que la lame se lève vers la gauche.



## Installation de la tête à fils nylon

1. Installez la rondelle d'appui (1) sur l'arbre d'entraînement.
2. Insérez la clé hexagonale (2) dans l'orifice du carter d'engrenage et faites tourner la rondelle d'appui (1) à l'aide de la clé hexagonale jusqu'à ce qu'elle soit verrouillée.
3. Vissez la tête à fils nylon sur l'axe dans le sens inverse des aiguilles d'une montre.
4. Retirez la clé hexagonale lorsque l'installation de la tête à fils nylon est terminée.





## AVANT UTILISATION

### Inspection et remplissage de l'huile moteur

- Procédez comme suit, une fois le moteur refroidi.
- Maintenez le moteur de niveau, retirez la jauge d'huile et assurez-vous que le niveau d'huile se trouve entre les limites supérieure et inférieure.  
Lorsqu'il n'y a pas suffisamment d'huile et que seule l'extrémité de la jauge peut atteindre l'huile, notamment si la jauge est insérée dans le carter du moteur sans être vissée (Fig. 1), rajoutez de l'huile par l'orifice (Fig. 2).
- Pour informations, le temps de remplissage de l'huile est d'environ 10 heures (10 remplissages ou un remplissage de 10 réservoirs d'huile).  
Si l'huile change de couleur ou se mélange à des impuretés, changez-la. (Pour connaître la fréquence et la méthode de remplacement, reportez-vous à la page 46)

**Huile recommandée :** SAE 10W-30 huile de classification API, classe SF ou supérieure (moteur automobile à 4 temps)

**Volume d'huile :** environ 0,08 l

Remarque : Si le moteur n'est pas de niveau, l'huile peut se répandre dans le moteur et nécessiter un nouveau remplissage trop fréquent.  
Si vous mettez trop d'huile, elle peut être souillée ou s'enflammer en dégageant une fumée blanche.

#### Remarque 1 concernant le changement d'huile : « Jauge d'huile »

- Retirez la poussière ou les impuretés au niveau de l'orifice de remplissage d'huile, puis détachez la jauge d'huile.
- Veillez à maintenir la jauge d'huile loin du sable ou de la poussière. Le sable ou la poussière adhérent à la jauge d'huile pourrait perturber la circulation de l'huile ou entraîner une usure des pièces moteur, cela provoquerait des problèmes.
- Pour garantir la propreté de la jauge d'huile, il est recommandé de l'insérer dans le couvercle du moteur en la tenant par sa poignée, comme indiqué sur la Fig. 3.

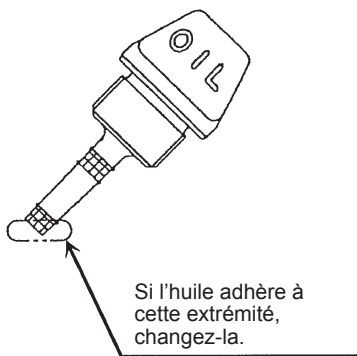


Fig. 1

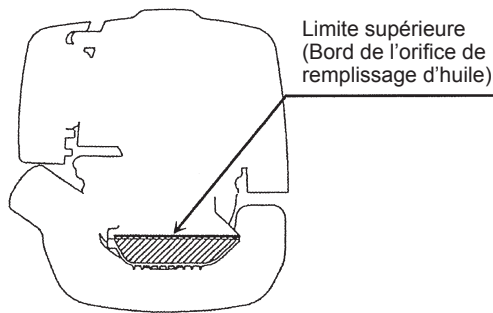


Fig. 2

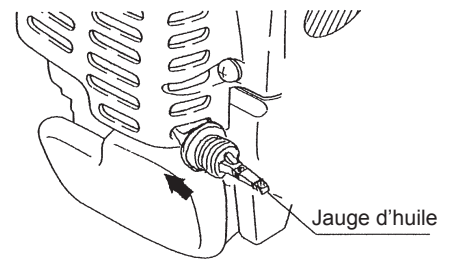
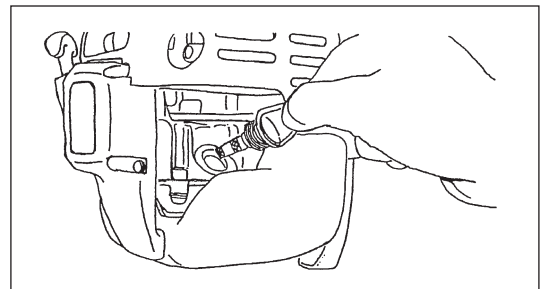
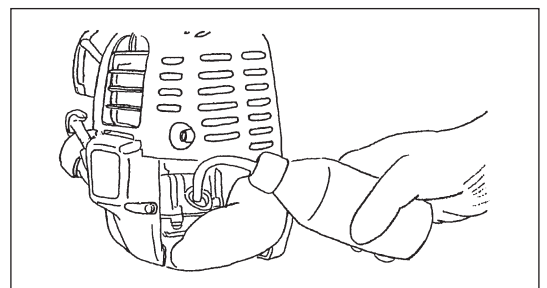


Fig. 3

(1) Maintenez le moteur de niveau et détachez la jauge d'huile.



(2) Versez de l'huile jusqu'au bord de l'orifice de remplissage. (Reportez-vous à la Fig. 2 de la page précédente).  
Versez l'huile à l'aide du flacon de remplissage de lubrifiant.



(3) Serrez bien la jauge d'huile. Une jauge d'huile insuffisamment serrée peut fuir.

### Remarque 2 concernant le changement d'huile : « Si l'huile déborde »

- Si l'huile déborde entre le réservoir d'essence et le corps du moteur, elle sera aspirée par l'orifice d'admission d'air de refroidissement et contaminera le moteur. Veillez à essuyer l'excédent d'huile avant de démarrer la machine.

## REPLISSAGE

### Manipulation de l'essence

Vous devez manipuler l'essence avec une extrême précaution. L'essence peut contenir des substances telles que des solvants. Vous devez procéder au remplissage dans une pièce suffisamment ventilée ou en plein air. Tenez-vous éloigné de l'essence et évitez d'en inhaler les vapeurs. Si l'essence entre en contact plusieurs fois ou pendant longtemps avec votre peau, vous pourriez souffrir de sécheresse cutanée, entraînant maladies de peau ou allergies. En cas de projection d'essence dans les yeux, rincez à l'eau claire. Si vos yeux restent irrités, consultez un médecin.

### Entreposage de l'essence

Vous devez utiliser l'essence dans un délai de 4 semaines, même si vous la conservez dans un conteneur spécial, dans un endroit ombragé et bien ventilé.

Si vous n'utilisez pas un conteneur spécial ou si le conteneur n'est pas fermé, la qualité de l'essence pourrait être altérée.

### ENTREPOSAGE DE LA MACHINE ET REPLISSAGE DU RÉSERVOIR

- Entrepochez la machine et son réservoir dans un endroit frais non soumis à la lumière directe du soleil.
- Ne conservez jamais l'essence dans une cabane de jardin ou un coffre de voiture.

### Filtre

Le moteur est un moteur à quatre temps. Veillez à n'utiliser que de l'essence automobile (essence ordinaire ou super).

### Remarques concernant l'essence

- N'utilisez jamais une essence mélangée avec de l'huile moteur. Cela pourrait entraîner une accumulation excessive de carbone ou des problèmes mécaniques.
- L'utilisation d'une huile altérée entraînera un démarrage difficile.

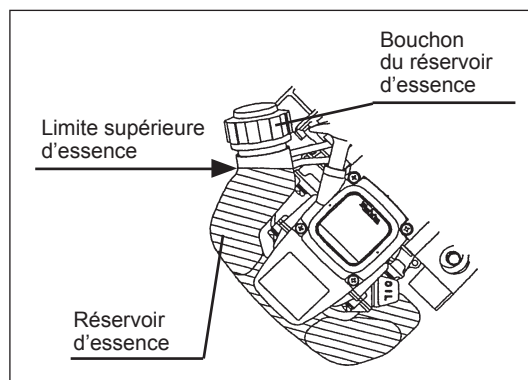
## Remplissage

### AVERTISSEMENT : PRODUITS INFLAMMABLES STRICTEMENT INTERDITS

Essence utilisée : Essence automobile (sans plomb)

- Dévissez légèrement le bouchon du réservoir afin qu'il n'y ait aucune différence de pression atmosphérique.
- Ôtez le bouchon du réservoir, remplissez ce dernier et évacuez l'air en inclinant le réservoir pour que l'orifice de remplissage soit orienté vers le haut. (Ne remplissez jamais à ras bord.)
- Essuyez bien le pourtour du bouchon du réservoir pour éviter que des substances étrangères ne pénètrent à l'intérieur du réservoir d'essence.
- Après le remplissage, veillez à bien serrer le bouchon du réservoir.

- Si le bouchon du réservoir présente un défaut ou est endommagé, remplacez-le.
- Le bouchon du réservoir est un produit consommable, il doit donc être remplacé tous les deux ou trois ans.



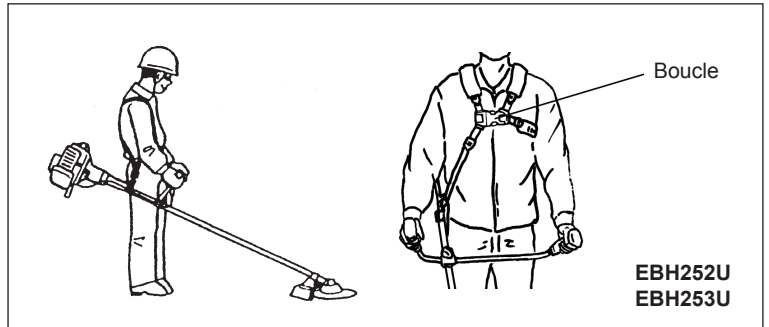
## MANIPULATION CORRECTE DE LA MACHINE

### Fixation de la sangle d'épaule

- Réglez la longueur de la sangle de façon à ce que la lame de coupe reste parallèle au sol.

### Pour les modèles EBH252U, EBH253U

REMARQUE : Attention à ce que vos vêtements ou autres objets ne soient pas emprisonnés dans la boucle.

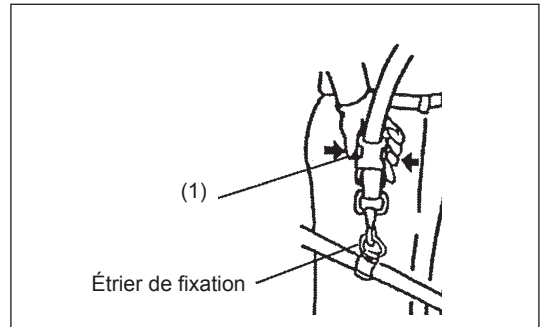


### Détachement

#### Pour les modèles EBH252L, EBH253L

- En cas d'urgence, appuyez sur les entailles (1) de chaque côté, vous pourrez alors vous libérer de la machine.
- Veillez à garder le contrôle de la machine à ce moment précis. Ne laissez pas la machine se retourner vers vous ou vers une personne proche de vous.

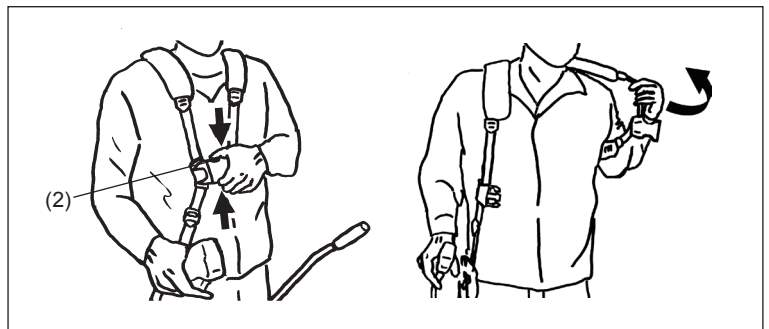
AVERTISSEMENT : Si le contrôle de la machine venait à vous échapper totalement, vous pourriez vous blesser très grièvement ou même trouver la MORT.



#### Pour les modèles EBH252U, EBH253U

- En cas d'urgence, appuyez sur les entailles (2) de chaque côté, vous pourrez alors vous libérer de la machine.
- Veillez à garder le contrôle de la machine à ce moment précis. Ne laissez pas la machine se retourner vers vous ou vers une personne proche de vous.

AVERTISSEMENT : Si le contrôle de la machine venait à vous échapper totalement, vous pourriez vous blesser très grièvement ou même trouver la MORT.

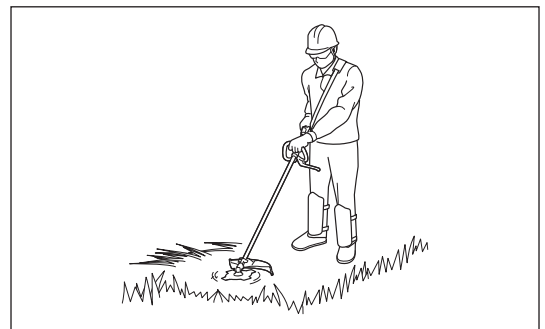


### AVERTISSEMENT :

Placez toujours l'outil sur votre droite. Un positionnement adéquat de l'outil vous permet d'optimiser le contrôle et ainsi de réduire les risques de blessures graves dues à un rebond.

### AVERTISSEMENT :

Faites très attention à garder le contrôle de la machine en tout temps. Ne laissez pas la machine se retourner vers vous ou vers une personne à proximité de la zone de travail. Une perte de contrôle de l'outil pourrait entraîner des blessures graves à quiconque se trouve près de la zone de travail et à l'utilisateur.



### Utilisation de la tête à fils nylon

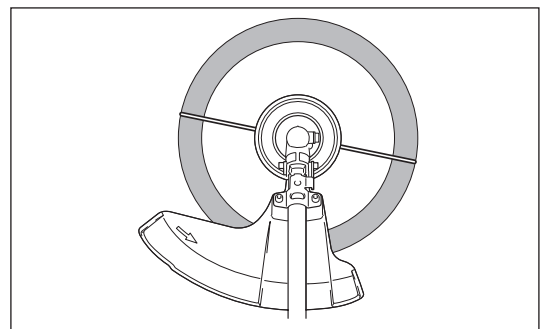
La tête à fils nylon est une tête de taille-bordures à double fils avec un mécanisme à frappe et à alimentation.

Pour rajouter du fil de nylon, vous devez cogner la tête de coupe contre le sol lorsqu'elle est en rotation.

La zone de coupe la plus efficace correspond à la zone grisée.

### REMARQUE :

Si le fil de nylon ne se déploie pas lorsque la tête est cognée, rembobinez/ remplacez le fil de nylon en procédant comme indiqué à la section « INSTRUCTIONS D'ENTRETIEN ».



## REMARQUES CONCERNANT LE FONCTIONNEMENT ET L'ARRÊT DE LA MACHINE

Respectez la réglementation sur la prévention des accidents en vigueur!

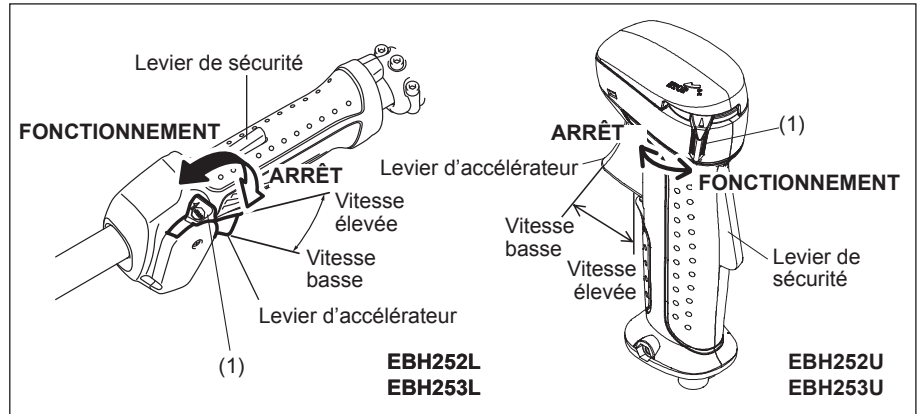


### DÉMARRAGE

Allez à au moins 3 mètres du lieu de remplissage du réservoir. Placez la débroussailleuse thermique à essence sur une portion de sol nette en veillant à ce que l'outil de coupe n'entre pas en contact avec le sol ou tout autre objet.

#### A : Démarrage à froid

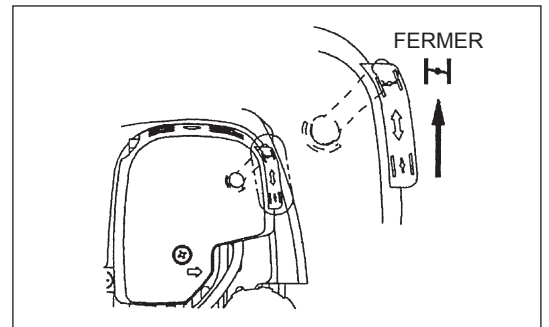
- 1) Posez la machine sur une surface plane.



- 2) Basculez le commutateur marche/arrêt (1) sur FONCTIONNEMENT.

- 3) Levier d'étrangleur  
Fermez le levier d'étrangleur.  
Ouverture de l'étrangleur :

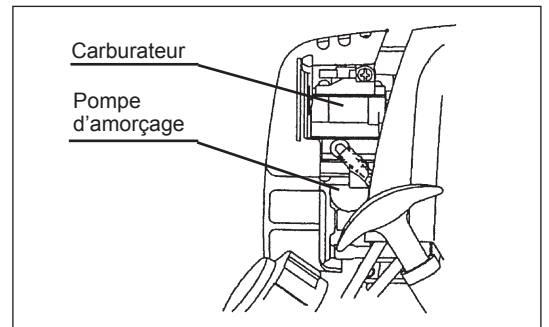
- Fermeture totale à froid ou lorsque le moteur est froid.
- Ouverture totale ou partielle au redémarrage immédiatement après l'arrêt.



- 4) Pompe d'amorçage

Continuez à appuyer sur la pompe d'amorçage jusqu'à ce que l'essence pénètre à l'intérieur. (En général, l'essence pénètre dans la pompe d'amorçage au terme de 7 à 10 pressions.)

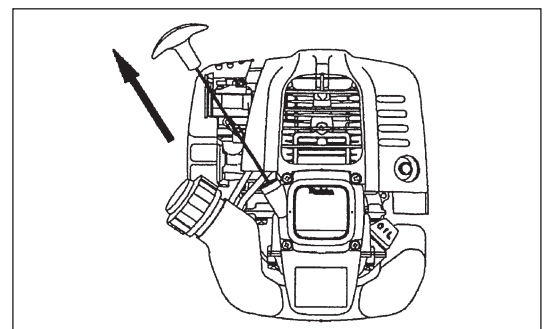
Si vous appuyez trop sur la pompe d'amorçage, un excédent d'essence retourne dans le réservoir.



- 5) Lanceur à rappel

Tirez délicatement sur la poignée de démarrage jusqu'à ce que cela devienne difficile (point de compression). Relâchez la poignée de démarrage puis tirez dessus fermement.

Ne tirez jamais la corde à fond. Une fois la poignée de démarrage tirée, ne la relâchez pas immédiatement. Raccordez la poignée de démarrage jusqu'à sa position d'origine.



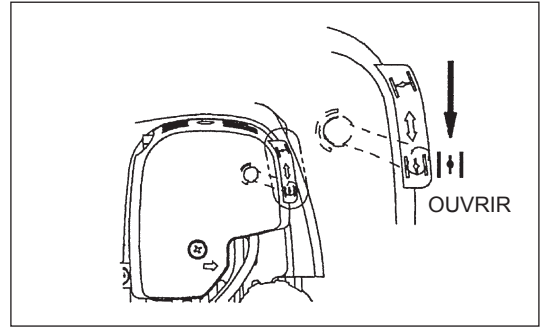
## 6) Levier d'étrangleur

Lorsque le moteur démarre, ouvrez le levier d'étrangleur.

- Ouvrez progressivement le levier d'étrangleur tout en vérifiant le fonctionnement du moteur. Veillez ensuite à ouvrir le levier d'étrangleur à fond.
- N'ouvrez jamais le levier d'étrangleur d'un coup à froid ou lorsque le moteur est refroidi. Cela pourrait couper le moteur.

## 7) Réchauffage

Poursuivez le réchauffage pendant 2 à 3 minutes.



Remarque : – Si vous tirez plusieurs fois sur la poignée de démarrage alors que le levier d'étrangleur reste en position « FERMER », le moteur démarrera difficilement en raison d'une admission d'essence excessive.

- En cas d'admission d'essence excessive, retirez la bougie d'allumage et tirez lentement sur la poignée de démarrage afin de supprimer l'excédent d'essence. Vous pouvez aussi sécher l'électrode de la bougie d'allumage.

## Attention en cours de fonctionnement :

Si le levier d'accélérateur est complètement ouvert en fonctionnement à vide, la rotation du moteur augmente jusqu'à 10 000 min<sup>-1</sup> ou davantage. Ne faites jamais fonctionner le moteur à une vitesse supérieure à celle requise et à une vitesse approximative de 6 000 à 8 500 min<sup>-1</sup>.

## B : Démarrage après le réchauffage

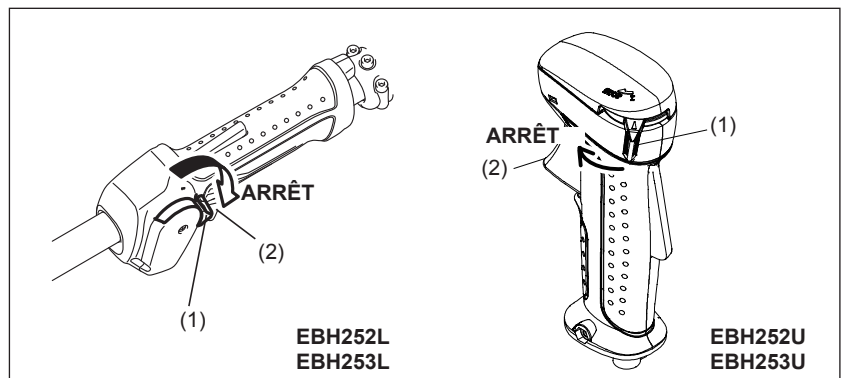
- 1) Appuyez plusieurs fois sur la pompe d'amorçage.
- 2) Maintenez le levier d'accélérateur en fonctionnement de ralenti.
- 3) Tirez fermement sur le lanceur à rappel.
- 4) Si le démarrage du moteur se révèle difficile, ouvrez l'étrangleur d'environ 1/3. Faites attention à la lame de coupe qui pourrait se mettre en mouvement.

### Attention en cours de fonctionnement

Si vous faites fonctionner le moteur en le plaçant à l'envers, le silencieux pourrait émettre de la fumée blanche.

## ARRÊT

- 1) Relâchez complètement le levier d'accélérateur (2), puis une fois que le régime moteur a baissé, basculez le commutateur marche/arrêt sur ARRÊT, cela coupe le moteur.
- 2) La tête de coupe peut ne pas s'arrêter immédiatement, attendez qu'elle s'arrête complètement.



## RÉGLAGE DE LA ROTATION À FAIBLE VITESSE (RALENTI)

Si vous devez régler la rotation à faible vitesse (ralenti), utilisez la vis de réglage du carburateur.

## VÉRIFICATION DE LA ROTATION À FAIBLE VITESSE

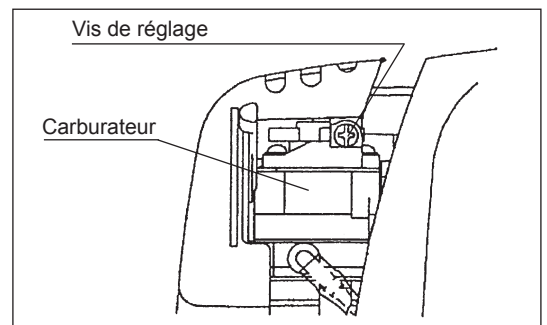
### ATTENTION :

Le dispositif de coupe pourrait être en rotation durant les réglages du carburateur. Portez votre équipement de protection et respectez toutes les consignes de sécurité. Vérifiez que le dispositif de coupe cesse de tourner lorsque le moteur est au ralenti.

### ATTENTION

Lorsque vous éteignez l'appareil, assurez-vous que le dispositif de coupe s'est arrêté avant de déposer l'appareil.

- Réglez la rotation à faible vitesse sur 3 000 min<sup>-1</sup>. Si vous devez changer la vitesse de rotation, utilisez la vis de réglage (illustration ci-contre), avec un tournevis cruciforme.
- Pour augmenter la rotation du moteur, tournez la vis de réglage vers la droite. Pour diminuer la rotation du moteur, tournez la vis de réglage vers la gauche.
- Le carburateur est réglé généralement à l'usine. Si un réglage supplémentaire est nécessaire, veuillez contacter un technicien agréé.



## INSTRUCTIONS D'ENTRETIEN

**ATTENTION:** Avant de manipuler la débroussailleuse thermique, coupez toujours le moteur et retirez le bouchon de la bougie d'allumage (voir « Vérification de la bougie d'allumage »).  
Portez toujours des gants de protection!

Afin de garantir un long délai entre deux réparations et d'éviter tout dommage à l'équipement, effectuez régulièrement les procédures de réparation suivantes.

### Vérification et entretien quotidiens

- Avant utilisation, vérifiez s'il y a des vis desserrées ou des pièces manquantes sur la machine. Soyez particulièrement vigilant avec les lames de coupe ou tête à fils nylon qui doivent être bien serrées.
- Avant utilisation, vérifiez toujours que le tuyau de l'air de refroidissement et les ailettes du cylindre ne sont pas entravés. Nettoyez-les si nécessaire.
- Procédez comme suit quotidiennement après utilisation :
  - Nettoyez l'extérieur de la débroussailleuse thermique et inspectez d'éventuels dommages.
  - Nettoyez le filtre à air. Lorsque vous travaillez dans une atmosphère très poussiéreuse, nettoyez le filtre plusieurs fois par jour.
  - Vérifiez d'éventuels dommages au niveau de la lame de coupe ou de la tête à fils nylon et veillez à ce qu'elles soient correctement montées.
  - Assurez-vous qu'il y a une différence suffisante entre la vitesse de ralenti et la vitesse d'embrayage pour être sûr que l'outil de coupe ne bouge pas lorsque le moteur est au ralenti (si nécessaire, réduisez la vitesse de ralenti).  
Si l'outil continue à fonctionner en vitesse de ralenti, consultez votre technicien agréé le plus proche.
- Vérifiez le fonctionnement du commutateur marche/arrêt, du levier de sécurité, du levier de commande et du bouton de verrouillage.

### Affûtage de la lame métallique

**ATTENTION :**

Les lames métalliques ne doivent être affûtées que par un professionnel agréé. L'affûtage manuel risque de déséquilibrer l'outil de coupe, ce qui entraînera des vibrations et pourrait endommager l'équipement.

**REMARQUE :** Afin d'augmenter le délai entre deux réparations, vous pouvez retourner la lame de coupe, jusqu'à ce que les deux tranchants soient émoussés.

### REMPLACEMENT DE L'HUILE MOTEUR

L'huile moteur usagée raccourcira grandement la durée de vie des pièces coulissantes et rotatives. Veillez à vérifier la fréquence et le nombre des remplacements.



**ATTENTION :** En général, le corps du moteur et l'huile moteur restent chauds immédiatement après l'arrêt du moteur. Lorsque vous remplacez l'huile moteur, vérifiez que le corps du moteur et l'huile ont suffisamment refroidi. Sinon, vous risquez de vous brûler.

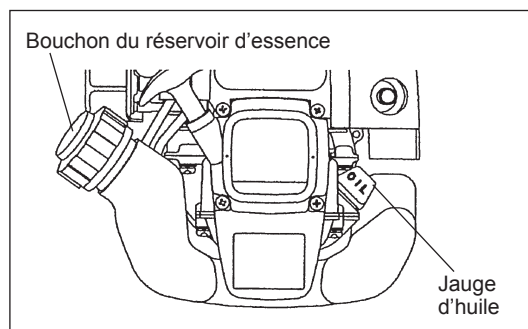
**Remarque :** Si vous mettez trop d'huile, elle peut être souillée ou s'enflammer en dégageant une fumée blanche.

**Fréquence de remplacement :** Au début, toutes les 20 heures de fonctionnement, puis toutes les 50 heures de fonctionnement

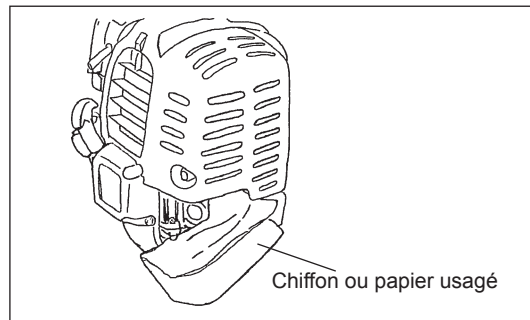
**Huile recommandée :** SAE10W-30 huile de classification API, classe SF ou supérieure (moteur automobile à 4 temps)

Pour le remplacement, procédez comme suit.

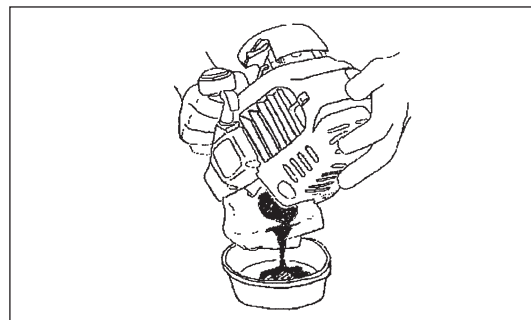
- 1) Assurez-vous que le bouchon du réservoir est bien serré.
- 2) Ôtez la jauge d'huile.  
Tenez la jauge d'huile loin de toute poussière ou impureté.



3) Placez un chiffon ou papier usagé près de l'orifice de remplissage.



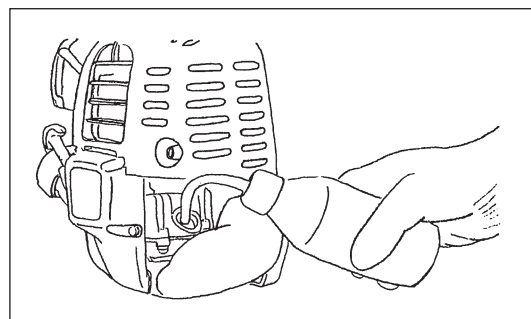
4) Détachez la jauge d'huile, vidangez-la en basculant le corps vers l'orifice de remplissage.  
Vidangez l'huile dans un récipient en vue de la mise au rebut.



5) Maintenez le moteur de niveau et versez la nouvelle huile jusqu'au bord de l'orifice de remplissage.

Pour le remplissage, utilisez un flacon de remplissage de lubrifiant.

6) Après le remplissage, serrez bien la jauge d'huile. Une jauge d'huile insuffisamment serrée peut fuir.



### REMARQUES CONCERNANT L'HUILE

- Ne déversez jamais l'huile usagée dans une poubelle, sur le sol ou dans une canalisation. La mise au rebut de l'huile usagée est réglementée par la loi. Vous devez vous conformer aux lois et réglementations en vigueur. En cas de doute, contactez un technicien agréé.
- L'huile se détériore même si elle n'est pas utilisée. Procédez fréquemment à une inspection et à un remplacement (remplacez-la tous les 6 mois).

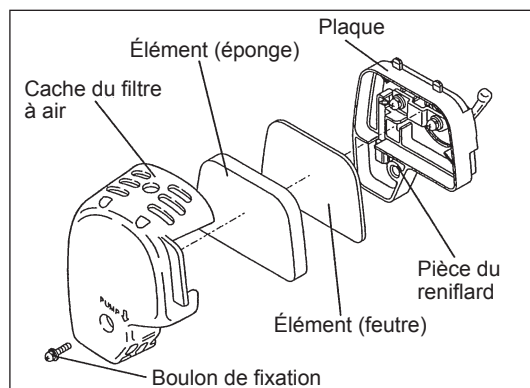
### NETTOYAGE DU FILTRE À AIR



**DANGER : PRODUITS INFLAMMABLES STRICTEMENT INTERDITS**

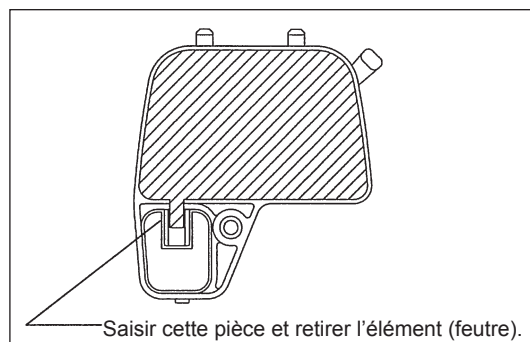
**Fréquence de nettoyage et d'inspection : Quotidienne (toutes les 10 heures de fonctionnement)**

- Fermez complètement le levier d'étrangleur, et tenez le carburateur loin de toute poussière ou impureté.
- Retirez les boulons de fixation du cache du filtre à air.
- Tirez la partie inférieure du cache et ôtez le cache.
- Si de l'huile adhère à l'élément (éponge), pressez-le bien.
- En cas de contamination importante :
  - 1) Retirez l'élément (éponge), plongez-le dans de l'eau chaude ou de l'eau additionnée d'un détergent neutre, puis séchez-le complètement.
  - 2) Nettoyez l'élément (feutre) avec de l'essence, puis séchez-le complètement.
- Avant de replacer l'élément, veillez à le sécher complètement. Un séchage insuffisant de l'élément peut entraîner des problèmes de démarrage.
- À l'aide d'un chiffon usagé, essuyez l'huile sur le cache du filtre à air et la plaque du reniflard.
- Immédiatement après le nettoyage, fixez le cache du filtre et serrez-le à l'aide des boulons de fixation. (Lorsque vous le remontez, engagez d'abord la tranche supérieure puis la tranche inférieure.)



### Remarques concernant la manipulation de l'élément du filtre à air

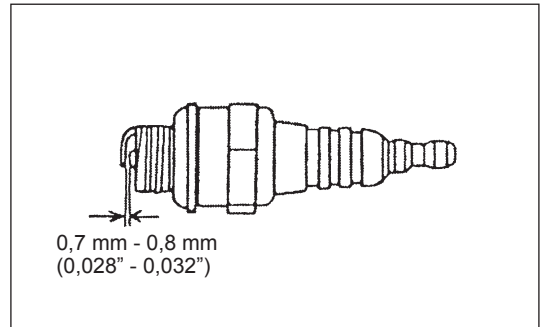
- Nettoyez l'élément plusieurs fois par jour, en cas d'adhérence excessive de poussière.
- Si vous continuez à utiliser l'élément sans nettoyer l'huile qui se trouve dessus, l'huile pourrait déborder du filtre à air et être contaminée.



## VÉRIFICATION DE LA BOUGIE D'ALLUMAGE

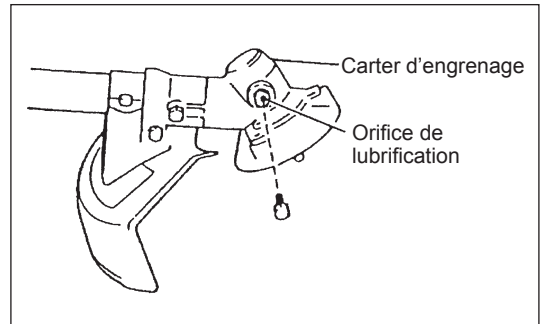
- Utilisez uniquement la clé universelle fournie pour retirer ou installer la bougie d'allumage.
- L'écart entre les deux électrodes de la bougie d'allumage doit être de 0,7 - 0,8 mm (0,028" - 0,032"). Si l'écart est trop important ou pas assez, ajustez-le. Si la bougie d'allumage est obstruée ou encrassée, nettoyez-la bien ou remplacez-la.

ATTENTION: Ne touchez jamais le connecteur de la bougie d'allumage lorsque le moteur fonctionne (danger de choc électrique à haute tension).



## LUBRIFICATION DU CARTER D'ENGRENAGE

- Lubrifiez le carter d'engrenage (Shell Alvania 2 ou équivalent) par l'orifice de lubrification toutes les 30 heures. (Le lubrifiant MAKITA est disponible auprès de votre vendeur MAKITA.)



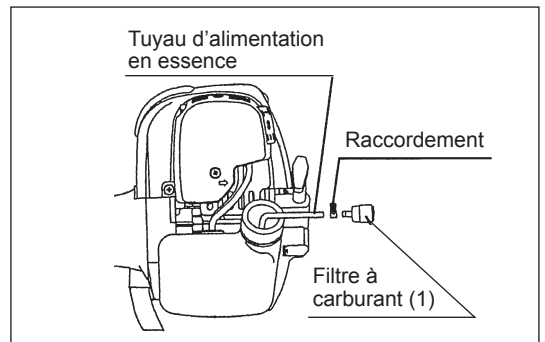
## NETTOYAGE DU FILTRE À CARBURANT

### AVERTISSEMENT : PRODUITS INFLAMMABLES STRICTEMENT INTERDITS

Fréquence de nettoyage et d'inspection : Mensuelle (toutes les 50 heures de fonctionnement)

#### Hauteur d'aspiration dans le réservoir d'essence

- Le filtre à carburant (1) de la hauteur d'aspiration permet de filtrer l'essence nécessaire au carburateur.
- Une inspection visuelle périodique du filtre à carburant doit être effectuée. Pour cela, ouvrez le bouchon du réservoir et tirez la hauteur d'aspiration par l'orifice du réservoir à l'aide d'un crochet métallique. Les filtres qui sont solidifiés, encrassés ou obstrués doivent être remplacés.
- Si l'alimentation en essence est insuffisante, vous pourriez dépasser la vitesse maximale admissible. Il est donc important de remplacer le filtre à carburant au moins tous les trois mois afin de garantir une bonne arrivée d'essence dans le carburateur.



## REMPACEMENT DU TUYAU D'ALIMENTATION EN ESSENCE

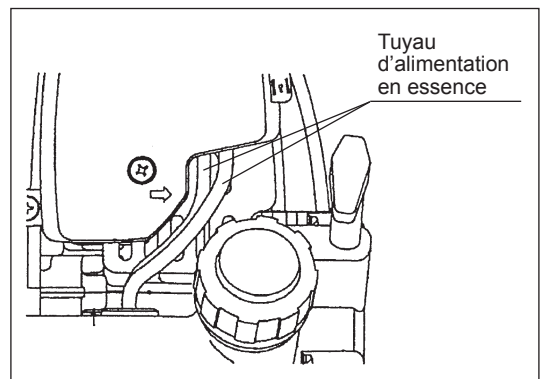
### ATTENTION: PRODUITS INFLAMMABLES STRICTEMENT INTERDITS

Fréquence de nettoyage et d'inspection : Quotidienne (toutes les 10 heures de fonctionnement)

Remplacement : Annuelle (toutes les 200 heures de fonctionnement)

Remplacez chaque année le tuyau d'alimentation en essence, indépendamment de la fréquence de fonctionnement. Une fuite d'essence peut provoquer un embrasement.

Si vous détectez une fuite lors de l'inspection, remplacez immédiatement le tuyau d'huile.



## INSPECTION DES BOULONS, ÉCROUS ET VIS

- Resserrez les boulons, écrous, etc. desserrés.
- Vérifiez d'éventuelles fuites d'essence et d'huile.
- Remplacez les pièces endommagées pour un fonctionnement en toute sécurité.

## NETTOYAGE DES PIÈCES

- Veillez toujours à la propreté du moteur.
- Tenez les ailettes du cylindre loin de toute poussière ou impureté. La poussière ou les impuretés adhérant aux ailettes entraîneront un grippage du piston.

## REMPACEMENT DES JOINTS ET GARNITURES

Lorsque vous réassemblez le moteur après l'avoir démonté, veillez à replacer les joints et les garnitures.

Tout entretien ou réglage non mentionné et décrit dans le présent manuel ne doit être effectué que par un technicien agréé.

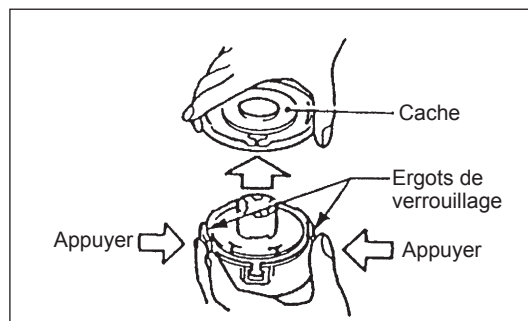


## Remplacement du fil nylon

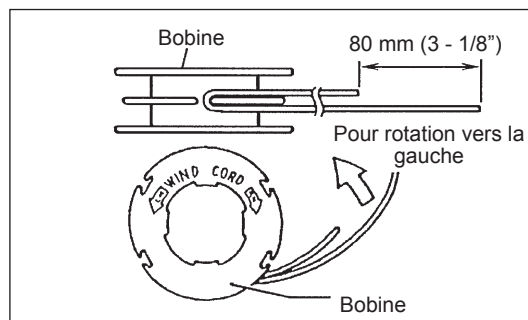
### (Sélection automatique de longueur de fil 4)

Avant tout, coupez le moteur.

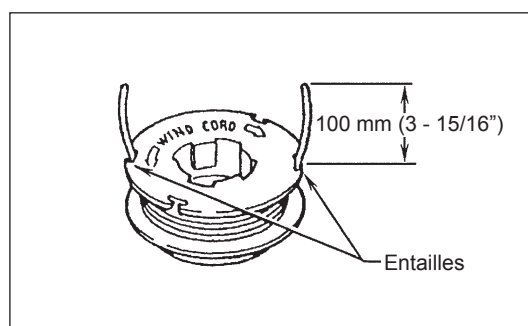
Appuyez sur les ergots de verrouillage du logement pour libérer le cache, puis retirez la bobine.



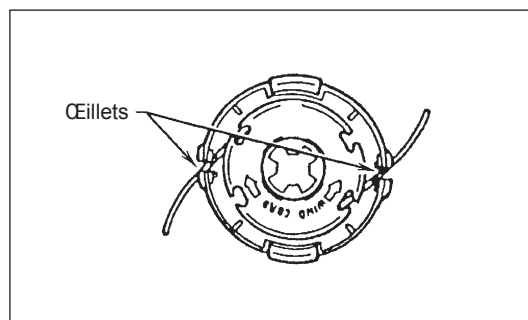
Insérez le nouveau fil nylon dans l'entaille au centre de la bobine, avec une extrémité du fil d'environ 80 mm (3 - 1/8") plus longue que l'autre. Puis enroulez bien les extrémités autour de la bobine dans le sens de rotation de la tête (vers la gauche indiqué par G et vers la droite indiqué par D sur le côté de la bobine).



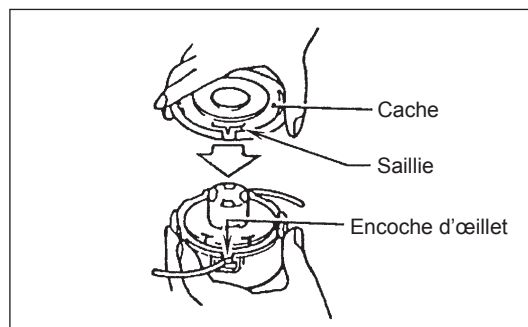
Laissez environ 100 mm (3 - 15/16") de fil non enroulés, les extrémités dépassant temporairement des entailles sur le côté de la bobine.



Montez la bobine dans le logement de sorte que les rainures et les saillies de la bobine correspondent à celles du logement. Orientez le côté de la bobine doté de lettres vers le haut. Enfin, retirez les extrémités du fil nylon de leur position temporaire et engagez-les dans les œillets pour que le fil nylon sorte du logement.



Alignez la saillie de la partie inférieure du cache avec les encoches des œillets. Puis enfoncez à fond le cache sur le logement pour le fixer.

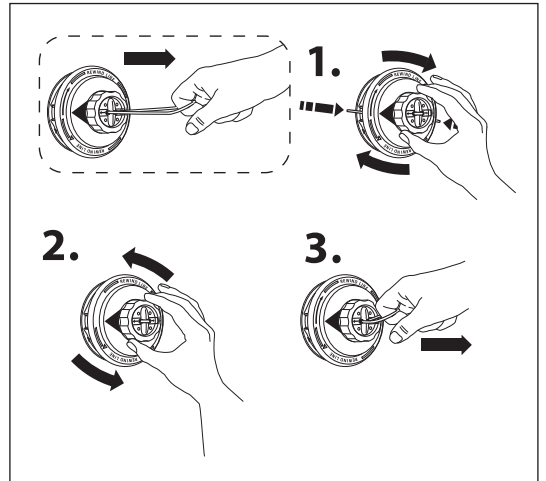


### (Proulx)

Tout d'abord, coupez le moteur.

Tenez fermement le logement et tournez la bobine dans le sens des aiguilles d'une montre jusqu'à ce que le fil nylon se rétracte dans le logement. Puis tournez en va-et-vient pour relâcher la tension du fil.

Attrapez la boucle sur la bobine et éloignez-la de la bobine.



Préparez un fil nylon avec les spécifications suivantes.

Longueur de 4,5 m (15 pi)

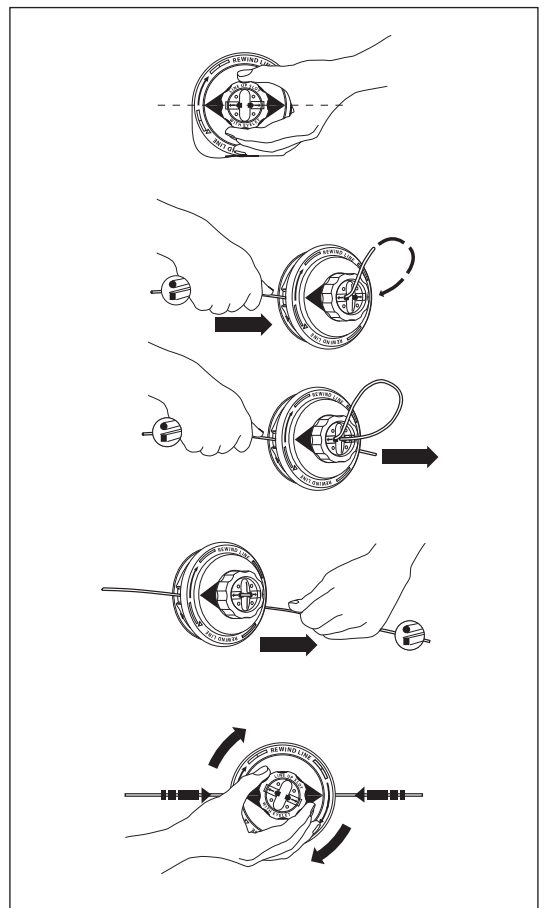
Fil rond d'un diamètre de 2,4 mm (0,095 po) ou fil carré d'une diagonale de 2,0 mm (0,08 po).

Alignez la flèche sur la bobine avec les œillets sur le logement.

Insérez une extrémité du fil nylon dans l'œillet sur le côté du logement, engagez le fil sur le haut de la bobine et passez-le dans le deuxième trou en haut de la bobine. Enfoncez le fil nylon dans les trous jusqu'à ce que le fil passe dans les œillets sur le côté du logement.

Enfoncez le fil nylon dans les trous des œillets sur le côté du logement jusqu'à obtenir une longueur égale des deux côtés.

Tenez fermement le logement et tournez la bobine dans le sens des aiguilles d'une montre pour enrouler le fil nylon dans la bobine.



**(F et A4 / Z5)**

**AVERTISSEMENT :** Assurez-vous que le cache de la tête à fils de nylon est solidement installé dans le logement, comme décrit ci-dessous. Si vous ne fixez pas le cache correctement, la tête à fils nylon peut être projetée, entraînant des blessures corporelles graves.

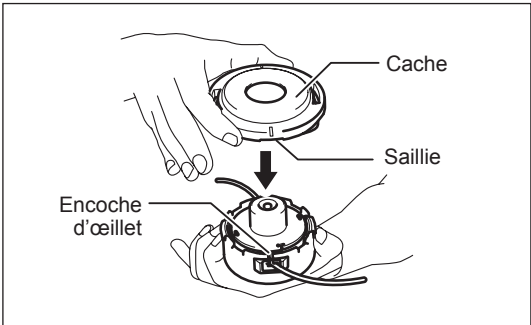
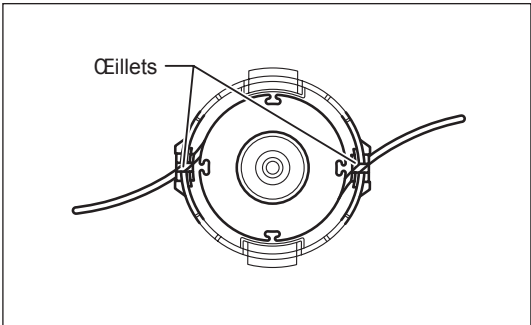
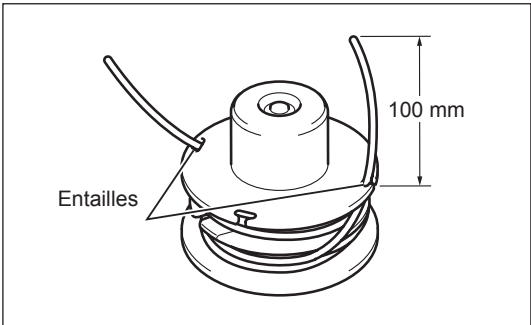
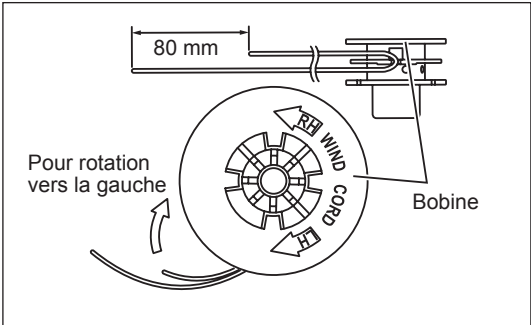
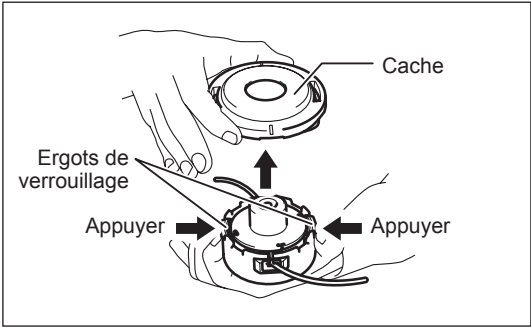
Pour retirer le cache, appuyez sur les ergots de verrouillage du logement et relevez-le.  
Jetez le fil de nylon restant.

Accrochez le milieu du fil nylon neuf dans l'entaille au centre de la bobine, entre les deux canaux prévus pour le fil nylon. Un côté du fil doit dépasser l'autre d'environ 80 mm.  
Enroulez fermement les deux extrémités autour de la bobine, dans le sens indiqué sur la tête par les lettres LH.

Laissez environ 100 mm de fil non enroulés, les extrémités dépassant temporairement des entailles sur le côté de la bobine.

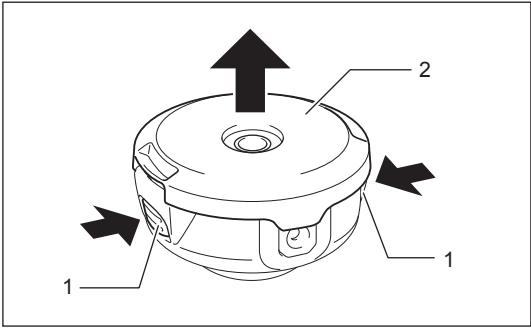
Montez la bobine dans le logement de sorte que les rainures et les saillies de la bobine correspondent à celles du logement. Orientez le côté de la bobine doté de lettres vers le haut. Enfin, retirez les extrémités du fil nylon de leur position temporaire et engagez-les dans les œillets pour que le fil nylon sorte du logement.

Alignez la saillie de la partie inférieure du cache avec les encoches des œillets. Puis enfoncez à fond le cache sur le logement pour le fixer. Assurez-vous que les ergots de verrouillage sont bien fixés au cache.

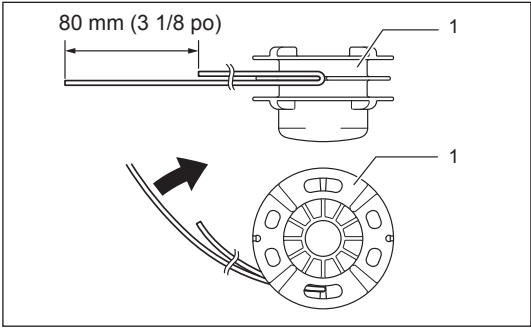


**(Frappe et alimentation)**

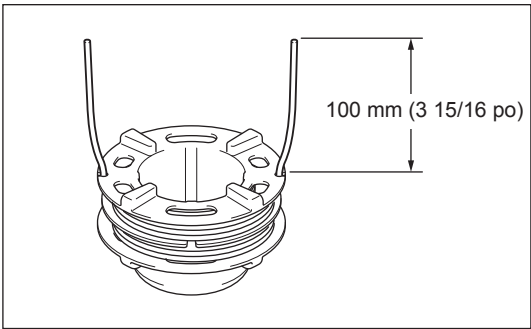
Tout d'abord, coupez le moteur.  
Appuyez sur les ergots de verrouillage du logement (1) pour libérer le cache (2), puis retirez la bobine.



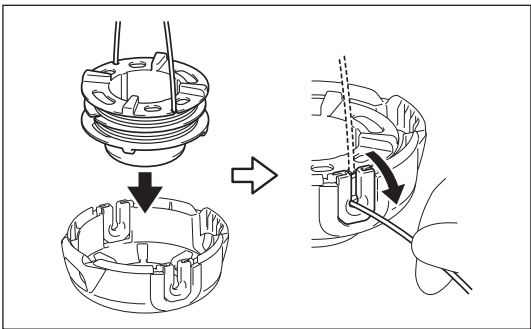
Insérer le centre du nouveau fil nylon dans l'encoche située au centre de la bobine (1), avec une extrémité du fil d'environ 80 mm (3 1/8 po) plus longue que l'autre.  
Ensuite, enroulez bien les deux extrémités autour de la bobine dans le sens de rotation de la tête (vers la gauche, indiquée par LH sur le côté de la bobine).



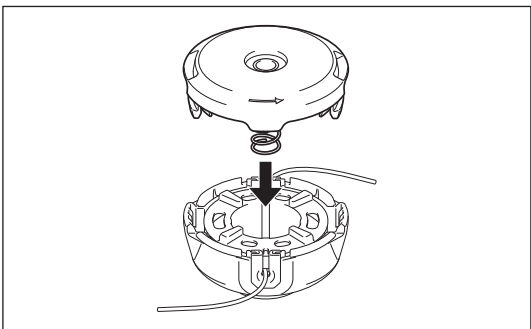
Laissez environ 100 mm (3 15/16 po) de fil non enroulés, les extrémités dépassant temporairement des encoches sur le côté de la bobine.



Montez la bobine dans le logement de sorte que les rainures et les saillies de la bobine correspondent à celles du logement. Orientez le côté de la bobine doté de lettres vers le haut. Enfin, retirez les extrémités du fil de nylon de leur position temporaire et engagez-les dans les œillets pour que le fil de nylon sorte du logement.



Alignez la saillie de la partie inférieure du cache avec les encoches des œillets. Enfoncez ensuite à fond le cache sur le boîtier pour le fixer.



## ENTREPOSAGE

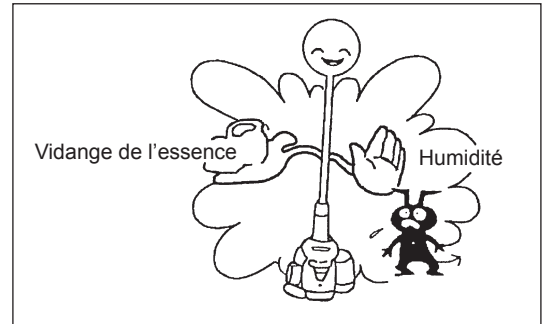


**AVERTISSEMENT : Pour vidanger l'essence, coupez le moteur et attendez qu'il refroidisse.**  
Le moteur reste chaud après l'arrêt, il y a des risques de brûlures et d'embrasement.



**ATTENTION : Lorsque la machine demeure inutilisée pendant une période prolongée, vidangez entièrement le réservoir d'essence et le carburateur, puis entreposez-les dans un endroit propre et sec.**

- Vidangez le réservoir d'essence et le carburateur en procédant comme suit :
  - 1) Retirez le bouchon du réservoir d'essence et vidangez totalement le réservoir.  
Retirez toute substance étrangère restée éventuellement dans le réservoir.
  - 2) Ôtez le filtre à carburant par l'orifice de remplissage à l'aide d'un câble.
  - 3) Appuyez sur la pompe d'amorçage jusqu'à ce que l'essence soit vidangée puis vidangez l'essence entrant dans le réservoir.
  - 4) Remplacez le filtre sur le réservoir d'essence et serrez bien le bouchon du réservoir.
  - 5) Puis continuez à faire fonctionner le moteur jusqu'à ce qu'il s'arrête.
- Retirez la bougie d'allumage et versez quelques gouttes d'huile moteur dans l'orifice de la bougie.
- Tirez doucement sur la poignée de démarrage pour que l'huile moteur se répande dans le moteur, et placez la bougie d'allumage.
- Fixez le cache de la lame de coupe.
- Lorsque vous entreposez la machine, maintenez-la à l'horizontale ou à la verticale avec le bord de la lame orienté vers le haut. (Dans ce dernier cas, veillez bien à ce que la machine ne tombe pas.)  
N'entreposez jamais la machine avec le bord de la lame de coupe orienté vers le bas. Cela pourrait entraîner une fuite de lubrifiant.
- Conservez l'essence vidangée dans un conteneur spécial, dans un endroit ombragé et bien ventilé.



### Attention après un entreposage de longue durée

- Avant de démarrer la machine après un arrêt prolongé, veillez à remplacer l'huile (reportez-vous à la page 46). L'huile se détériore lorsque la machine demeure inutilisée.

### Emplacement des défaillances

Défaillance	Système	Observation	Cause
Le moteur ne démarre pas ou difficilement	Système d'allumage	Allumage OK	Défaillance au niveau de l'alimentation en essence ou du système de compression, défaut mécanique
		Pas d'allumage	Commutateur basculé sur ARRÊT, défaut de câblage ou court-circuit, bougie d'allumage ou connecteur défectueux, module d'allumage défectueux
	Alimentation en essence	Réservoir plein	Position de l'étrangleur incorrecte, carburateur défectueux, tuyau d'alimentation en essence vrillé ou obstrué, essence encrassée
Problèmes de démarrage à chaud	Compression	Aucune compression au démarrage	Joint inférieur du cylindre défectueux, joints du vilebrequin endommagés, garnitures du cylindre ou du piston endommagées ou mauvaise étanchéité de la bougie d'allumage
	Défaut mécanique	Démarrateur non engagé	Ressort du démarreur cassé, pièces cassées à l'intérieur du moteur
Le moteur démarre mais se coupe ensuite	Alimentation en essence	Réservoir plein, allumage correct	Carburateur encrassé, doit être nettoyé
		Réservoir plein	Réglage du ralenti incorrect, carburateur encrassé
Performances insuffisantes	Plusieurs systèmes peuvent être concernés	Ralenti du moteur faible	Évent du réservoir d'essence défectueux, tuyau d'alimentation en essence sectionné, défaut de câblage ou commutateur basculé sur ARRÊT
			Filtre à air encrassé, carburateur encrassé, silencieux obstrué, tuyau d'échappement du cylindre obstrué

Temps de fonctionnement		Avant fonctionnement	Après lubrification	Quotidien (10 h)	30 h	50 h	200 h	Arrêt/ Pause	P corres- pondante
Élément									
Huile moteur	Inspecter/ Nettoyer	○							41
	Remplacer					○*1			46
Serrage des pièces (boulon, écrou)	Inspecter	○							48
Réservoir d'essence	Nettoyer/ Inspecter	○							—
	Vidange de l'essence							○*3	53
Levier d'accélérateur	Vérifier fonctionnement		○						—
Commutateur d'arrêt	Vérifier fonctionnement		○						45
Lame de coupe	Inspecter	○		○					39
Rotation à faible vitesse	Inspecter/ Régler			○					45
Filtre à air	Nettoyer			○					47
Bougie d'allumage	Inspecter			○					48
Tuyau d'air de refroidissement	Nettoyer/ Inspecter			○					48
Tuyau d'alimentation en essence	Inspecter			○					48
	Remplacer						◎*2		—
Lubrification du carter d'engrenage	Remplir				○				48
Filtre à carburant	Nettoyer/ Remplacer					○			48
Écart entre la valve d'admission d'air et la valve d'évacuation d'air	Régler						◎*2		—
Révision du moteur							◎*2		—
Carburateur	Vidange de l'essence							○*3	53

\*1 Procédez à un premier remplacement après 20 heures de fonctionnement.

\*2 Pour l'inspection des 200 heures de fonctionnement, consultez un technicien agréé ou un vendeur.

\*3 Après la vidange du réservoir d'essence, continuez à faire fonctionner le moteur et vidangez l'essence du carburateur.

## DÉPANNAGE

Avant de demander une réparation, procédez vous-même à une vérification. En cas d'anomalie, contrôlez votre machine conformément à la description du présent manuel. N'altérez ni de démontez jamais une pièce d'une autre façon. Pour les réparations, contactez un technicien agréé ou un vendeur local.

Anomalie	Cause probable (dysfonctionnement)	Solution
Le moteur ne démarre pas	Impossible d'actionner la pompe d'amorçage	Appuyer 7 à 10 fois
	Vitesse insuffisante de tirage de la corde du démarreur	Tirer fermement
	Pas assez d'essence	Ajouter de l'essence
	Filtre à carburant obstrué	Nettoyer
	Tuyau d'essence sectionné	Réparer le tuyau d'essence
	Essence usagée	L'essence usagée perturbe le démarrage. La remplacer. (Remplacement recommandé : 1 mois)
	Aspiration d'essence excessive	Basculer le levier d'accélérateur de vitesse moyenne à grande vitesse, puis tirer la poignée de démarrage jusqu'au démarrage du moteur. <b>Une fois le moteur démarré, la rotation de la lame de coupe commence. Faire très attention à la lame de coupe.</b> Si le moteur ne démarre toujours pas, retirer la bougie d'allumage, sécher l'électrode puis les réassembler. Démarrer comme indiqué.
	Capuchon de la bougie détaché	Fixer fermement
	Bougie d'allumage encrassée	Nettoyer
	Jeu anormal de la bougie d'allumage	Régler le jeu
	Autre anomalie de la bougie d'allumage	Remplacer
	Anomalie du carburateur	Demander une inspection et un entretien.
	Impossible de tirer la corde du démarreur	Demander une inspection et un entretien.
	Anomalie du système d'entraînement	Demander une inspection et un entretien.
Le moteur s'arrête rapidement La vitesse du moteur n'augmente pas	Réchauffage insuffisant	Procéder au réchauffage
	Levier d'étrangleur basculé sur « FERMER » même si le moteur est réchauffé.	Basculer sur « OUVRIR »
	Filtre à carburant obstrué	Nettoyer
	Filtre à air encrassé ou obstrué	Nettoyer
	Anomalie du carburateur	Demander une inspection et un entretien.
	Anomalie du système d'entraînement	Demander une inspection et un entretien.
La lame de coupe ne tourne pas ↓ Arrêt immédiat du moteur	Écrou de serrage de la lame de coupe desserré	Serrer fermement
	Brindilles prises dans la lame de coupe ou dans le capot anti-projection.	Retirer le corps étranger
	Anomalie du système d'entraînement	Demander une inspection et un entretien.
Le corps vibre de façon anormale ↓ Arrêt immédiat du moteur	Lame de coupe brisée, tordue ou usée	Remplacer la lame de coupe
	Écrou de serrage de la lame de coupe desserré	Serrer fermement
	Ajustage de la pièce convexe de la lame de coupe décalée et du support de la lame de coupe.	Fixer fermement
	Anomalie du système d'entraînement	Demander une inspection et un entretien.
La lame de coupe ne s'arrête pas immédiatement ↓ Arrêt immédiat du moteur	Rotation rapide en fonctionnement de ralenti	Régler
	Câble de l'étrangleur détaché	Fixer fermement
	Anomalie du système d'entraînement	Demander une inspection et un entretien.
Le moteur ne s'arrête pas ↓ Faire fonctionner le moteur au ralenti et basculer le levier d'étrangleur sur FERMER	Connecteur détaché	Fixer fermement
	Anomalie du système électrique	Demander une inspection et un entretien.

Si le moteur ne démarre pas après le réchauffage :

Si vous ne trouvez aucune anomalie au niveau des éléments vérifiés, ouvrez l'étrangleur d'environ 1/3 et démarrez le moteur.

Muchas gracias por la adquisición de su desbrozadora de MAKITA. Nos complace recomendarle la desbrozadora de MAKITA la cual es el resultado de un gran programa de desarrollo y de muchos años de conocimiento y experiencia.

Favor de leer este folleto el cual refiere en detalle los varios puntos que se demostrarán sobre su sobresaliente desempeño. Esto le ayudará a obtener un óptimo resultado de su desbrozadora de MAKITA.



## Índice

## Página

Símbolos.....	56
Instrucciones de seguridad.....	57
Especificaciones técnicas.....	61
Identificación de las piezas.....	63
Colocación del mango.....	64
Colocación del protector.....	65
Colocación de la cuchilla cortadora o cabeza cortadora de nailon (nylon).....	66
Antes de iniciar la operación.....	68
Manejo correcto del equipo.....	70
Puntos en la operación y cómo detener la operación....	71
Instrucciones de servicio.....	73
Almacenamiento.....	80

## SÍMBOLOS

Durante la consulta de este manual de instrucciones observará el uso de los siguientes símbolos

	Lea el manual de instrucciones y observe las advertencias y precauciones de seguridad.		Use casco protector, así como equipo protector para los ojos y los oídos.
	Tenga particular cuidado y atención.		Velocidad máxima permitida de la herramienta
	Prohibido.		Combustible (Gasolina)
	Mantenga una distancia prudente.		Encendido manual del motor
	Peligro de objeto volador.		Paro de emergencia
	No fumar.		Primeros auxilios
	No exponer al fuego.		Reciclado
	Se deben usar guantes protectores.		Use botas resistentes con suelas antiderrapantes. Se recomienda el uso de bota de seguridad con punta de acero.
	Retroceso brusco.		ENCENDIDO/INICIAR
	Conserve el área de operación despejada de personas y mascotas.		APAGADO/PARAR



## INSTRUCCIONES DE SEGURIDAD

### Instrucciones generales

- Para asegurar una operación adecuada, el usuario debe leer este manual de instrucciones para que se familiarice con el manejo de la desbrozadora. Los usuarios sin suficiente conocimiento se arriesgarán así mismos y a otras personas poniéndose en una situación de peligro debido a un manejo inadecuado.
- Se recomienda que sólo preste la desbrozadora a personas que hayan demostrado tener experiencia con este tipo de herramientas. Siempre incluya el manual al prestar la desbrozadora.
- Los usuarios primerizos deberán solicitar instrucciones básicas en el manejo con su distribuidor para familiarizarse con el manejo de una cortadora motorizada.
- No se debe permitir a los niños ni a las personas menores de 18 años usar la desbrozadora. Sin embargo, las personas mayores de 16 años podrán usar la herramienta con fines de entrenamiento y sólo mientras estén bajo la supervisión de un instructor calificado.
- Use la desbrozadora con el mayor cuidado y atención posibles.
- Use la desbrozadora sólo si se encuentra en buena condición física. Realice todo el trabajo tranquila y cuidadosamente. El usuario tiene que aceptar la obligación de responsabilidad por los demás.
- Nunca use la desbrozadora tras haber consumido alcohol, medicamentos, drogas, así como al sentir cansancio o enfermedad.
- Las normativas nacionales pueden restringir el uso de este equipo.

### Uso intencionado de la herramienta

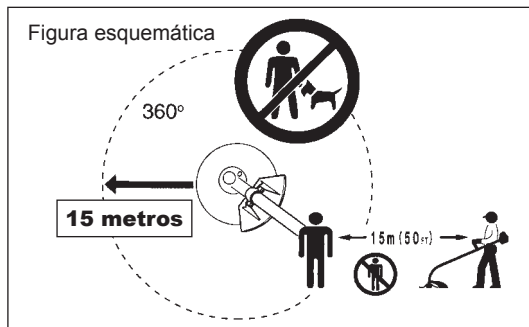
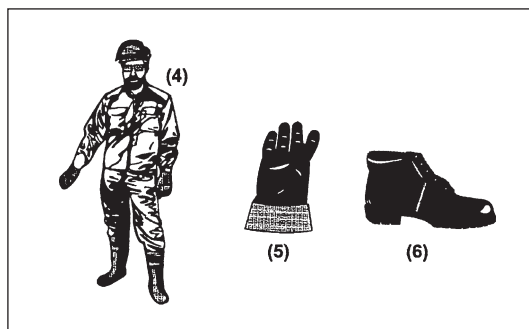
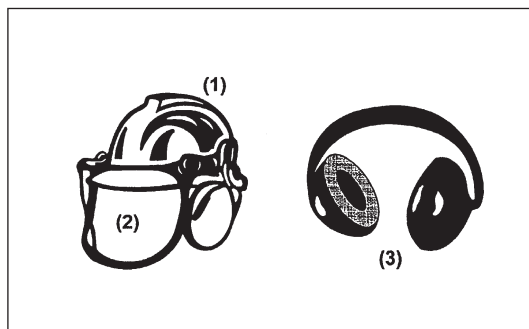
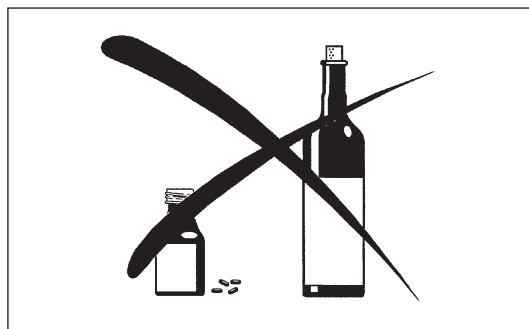
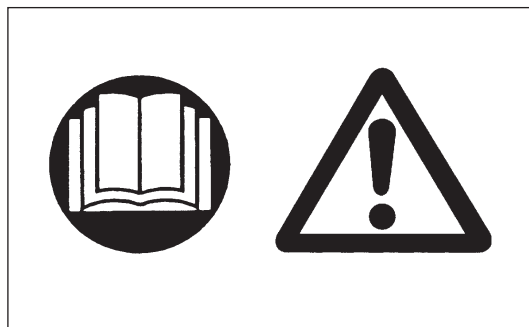
- La desbrozadora está diseñada sólo como cortadora de césped, maleza, arbustos y cizaña, y no debe usarse con otro propósito distinto al de recortar bordes o podar setos, ya que ignorar esta indicación podría resultar en lesiones.

### Equipo protector personal

- La vestimenta a ser usada debe ser funcional y adecuada, es decir, debe quedar ajustada pero sin que estorbe. Evite el uso de joyas o prendas de vestir que podrían enredarse con las ramas o arbustos.
- Para evitar lesiones ya sea en la cabeza, ojos, manos o pies, así como para proteger su audición, se requiere el uso del siguiente equipo protector y prendas protectoras durante la operación de la desbrozadora.
- Use caso siempre en donde haya riesgo de caída de objetos. El casco protector (1) debe ser revisado durante intervalos periódicos para ver si tiene daños y debe reemplazarse a los 5 años a más tardar. Use sólo cascos protectores aprobados.
- El visor (2) del casco (o gafas protectoras como alternativa) protege la cara del arrojamiento piedras y otros residuos. Durante la operación de la desbrozadora use siempre gafas protectoras o visor para evitar lesiones en los ojos.
- Use equipo adecuado de protección auditiva para evitar daño auditivo (orejeras (3), tapones para los oídos, etc.).
- Los overoles de trabajo (4) ofrecen protección contra el arrojamiento de piedras y residuos. Recomendamos firmemente que el operador use overol de trabajo.
- Los guantes especiales (5) hechos de piel gruesa forman parte del equipo prescrito y deben usarse siempre durante el uso de la desbrozadora.
- Al usar la desbrozadora, use siempre calzado resistente (6) con suela antiderrapante. Esto le protegerá de lesiones y asegura que pise firmemente.

### Arranque de la desbrozadora

- Asegúrese de que no haya niños ni otras personas en un rango de 15 metros (50 pies), y también ponga atención de que no haya animales alrededor del área de trabajo.
- Antes de usar la desbrozadora, verifique que la herramienta sea segura de usar:  
Verifique la seguridad de la pieza de corte, la palanca de control para la activación sencilla, así como el funcionamiento adecuado del bloqueo de la palanca de control.
- La rotación de la pieza de corte durante la velocidad de marcha en vacío no es permitida. Consulte con su distribuidor para un ajuste en caso de tener duda. Revise que los mangos estén limpios y secos, y pruebe el funcionamiento del interruptor de activación.

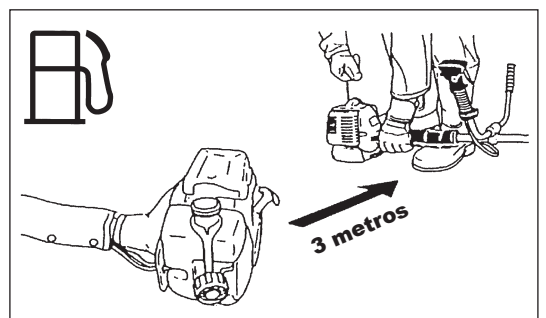
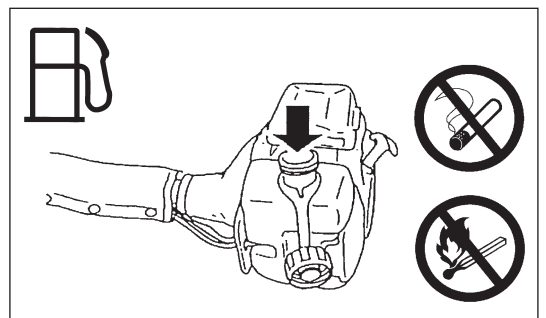
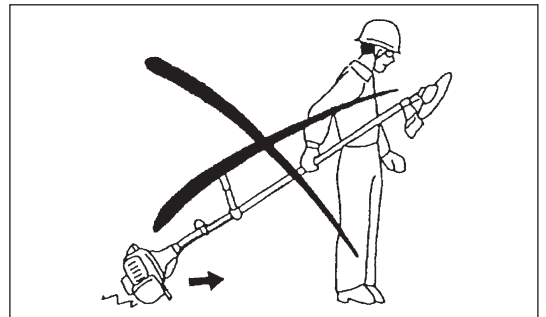
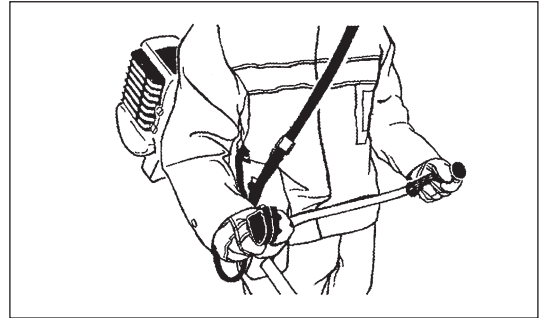
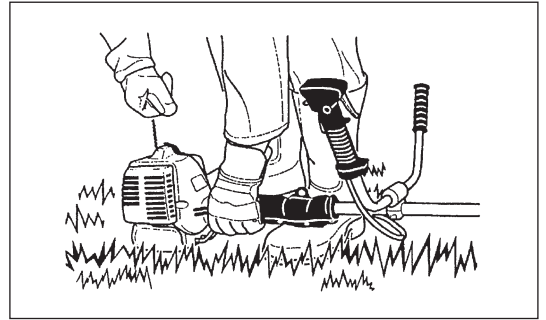


Arranque la desbrozadora sólo como se indica en las instrucciones.

- No utilice ningún otro método para arrancar el motor.
- Use la desbrozadora y las herramientas sólo para las aplicaciones para las que fueron diseñadas.
- Arranque el motor de la desbrozadora sólo tras haber realizado el ensamble completo del equipo. Operation of the device is only permitted after all the appropriate accessories are attached.
- Antes de arrancar el motor asegúrese que la pieza cortadora no esté haciendo contacto con objetos duros como ramas, piedras, etc. ya que esto podría ocasionar rotación de la herramienta al iniciarse.
- El motor debe apagarse de inmediato en caso de cualquier problema con el mismo.
- En caso de que la herramienta golpee piedras u otros objetos duros, apague el motor de inmediato y haga una inspección de la pieza cortadora.
- Inspeccione la pieza cortadora durante intervalos periódicos frecuentes para revisar si hay daños (finos agrietamientos que pueden identificarse mediante el sonido tras golpeteos).
- Use la desbrozadora sólo con la correa de hombro colocada la cual debe ajustarse antes de activar la herramienta. Es esencial ajustar la correa de hombro de acuerdo al tamaño del usuario para prevenir el cansancio durante la operación. Nunca sostenga la herramienta con una mano durante la operación.
- Durante la operación, sujete siempre la desbrozadora con ambas manos. Siempre asegúrese de pisar suelo firme.
- Use la desbrozadora de tal forma que evite la inhalación de los gases de escape. Nunca active el motor en lugares cerrados (riesgo de intoxicación). El monóxido de carbono es un gas inoloro.
- Apague el motor al estar en reposo y al no tener su atención sobre la desbrozadora, y colóquela en un lugar seguro para prevenir peligros para otras personas y para el equipo en sí.
- Nunca coloque la desbrozadora cuando esté caliente sobre el césped ni sobre materiales inflamables.
- La pieza cortadora está equipada con su protector apropiado. Nunca active la herramienta sin este protector.
- Todos los accesorios protectores suministrados con el equipo deben ser utilizados durante la operación del equipo.
- Nunca accione el motor con un mofle de escape defectuoso.
- Apague el motor mientras desplaza la herramienta de un lugar a otro.
- Durante un transporte de la herramienta por grandes distancias, se deberá usar siempre la protección incluida con el equipo.
- Asegure una posición segura de la desbrozadora durante su traslado con un vehículo para evitar fugas del combustible.
- Al transportar la desbrozadora, asegúrese de que el tanque de combustible se encuentre completamente vacío.
- Al descargar la desbrozadora del vehículo, nunca deje caer el motor al suelo ya que podría dañarse el tanque de combustible severamente.
- Salvo en caso de emergencia, nunca deje caer ni arroje la desbrozadora al suelo ya que podría dañarse severamente.
- Recuerde levantar el equipo por completo del suelo al moverlo de lugar. Arrastrar el tanque de combustible es altamente peligroso y puede causar daños y fuga de combustible, y posiblemente un incendio.

### Reabastecimiento de combustible

- Apague el motor al estar reabasteciendo el combustible, así mismo manténgase alejado de llamas y no fume.
- Evite el contacto de la piel con productos de aceite mineral. No inhale la emisión del combustible. Use siempre guantes protectores durante el reabastecimiento de combustible. Cambie y limpie la vestimenta protectora de forma periódica.
- Tenga la precaución de no derramar combustible ni aceite para prevenir la contaminación del suelo (protección ambiental). Limpie la desbrozadora inmediatamente tras el derrame.
- Evite cualquier contacto del combustible con su vestimenta. Cambie su vestimenta de inmediato si se ha derramado combustible en ella (para evitar el riesgo de incendio).
- Inspeccione la tapa del depósito de combustible de forma periódica para asegurarse que quede bien sellada al cerrar y que no tenga fugas.
- Apriete a conciencia la tapa del tanque de combustible. Cambie de lugar para arrancar el motor (al menos a 3 metros [10 pies] de donde reabasteció el combustible).
- Nunca reabastezca el combustible en lugares cerrados. Las emisiones pueden acumularse al nivel del suelo (generando un riesgo de explosión).
- Transporte y almacene el combustible solamente en contenedores diseñados para ello. Asegúrese de que el combustible almacenado no esté al alcance de los niños.



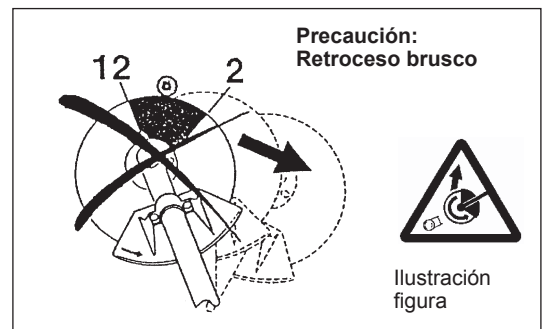
## Método de operación

- Use la desbrozadora en lugares con iluminación y visibilidad adecuadas. Durante la época invernal, tenga especial cuidado con las áreas resbalosas y mojadas, así como con el hielo y la nieve (riesgo de resbalones). Siempre asegúrese de pisar suelo firme.
- No haga nunca cortes que le queden por encima de la altura de su cintura.
- Nunca active la desbrozadora al estar sobre una escalera.
- Nunca trepe los árboles para realizar operaciones de corte con la desbrozadora.
- No trabaje nunca sobre superficies inestables.
- Despeje el área quitando la arena, las piedras, los clavos, etc. que encuentre dentro del rango trabajo. Los residuos pueden dañar la herramienta cortadora y causar retrocesos bruscos peligrosos.
- Tiene que permitir que la herramienta alcance velocidad completa antes de comenzar a cortar.



## Retroceso brusco

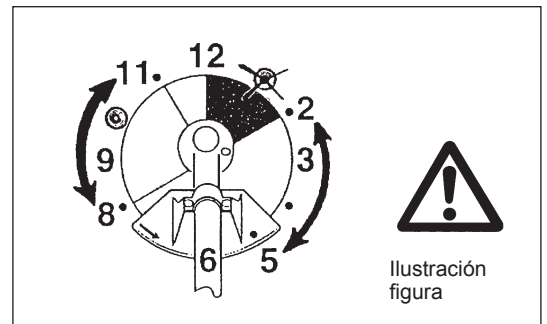
- Puede que se generen retrocesos bruscos al estar operando la desbrozadora.
- Esto sucede particularmente cuando se intenta colocar la cuchilla cortadora a un ángulo que en un reloj se ilustraría que quedaría entre las 12 y las 2 en punto.
- Nunca coloque la desbrozadora dentro de este ángulo.
- Nunca aplique este ángulo con la cuchilla cortadora en materiales gruesos como ramas y árboles entre otros, ya que al tener un diámetro mayor a los 3 cm la desbrozadora a gasolina se vería desviada por una gran fuerza, lo cual generaría un riesgo de lesiones.



## Prevención de retrocesos bruscos

### Para evitar retrocesos bruscos, siga las siguientes indicaciones:

- La operación de la cuchilla cortadora a un ángulo que en un reloj se ilustraría como entre las 12 y 2 en punto presenta un peligro, especialmente al usar herramientas cortadoras de metal.
- Las operaciones de corte a un ángulo que en un reloj se mostraría entre las 11 y 12 en punto, o bien, entre las 2 y 5 en punto, deben realizarse sólo por un usuario experimentado y sólo bajo su propio riesgo. El corte sencillo casi sin un potencial de retrocesos bruscos se obtiene con un ángulo que en un reloj se ilustraría entre las 8 y 11 en punto.

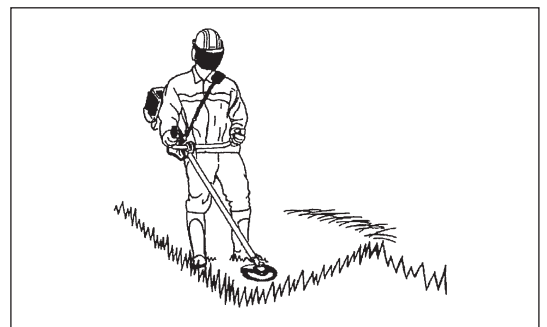


## Piezas de corte

Utilice sólo la pieza de corte adecuada para el trabajo en cuestión.

EBH252U, EBH253U, EBH252L, EBH253L, con cuchilla cortadora, cabeza cortadora de nailon (nylon)

Para el corte de materiales gruesos, como maleza, césped alto, arbustos, matas, maleza, matorrales, etc. (con un máximo de 2 cm de diámetro). Realice este trabajo de corte al oscilar la desbrozadora a gasolina de forma uniforme en medio círculo de derecha a izquierda (similar al uso de una hoz o segadora).



## Instrucciones de mantenimiento

- La condición de la cortadora, en particular de la pieza de corte, de los dispositivos protectores y también de la correa de hombro deben revisarse antes de comenzar cualquier trabajo. Se requiere dar especial atención a las cuchillas cortadoras las cuales deben estar afiladas adecuadamente.
- Apague el motor y quite la bujía de encendido de su enchufe al reemplazar o afilar las herramientas de corte, al igual que al limpiar la desbrozadora o la pieza de corte.

## Nunca trate de enderezar o doblar las piezas de corte dañadas.

- Opere la desbrozadora con el menor ruido y contaminación posibles. Revise en particular el correcto ajuste del carburador.
- Limpie la desbrozadora periódicamente y revise que todas la tuercas y tornillos estén bien apretados.
- Nunca dé servicio ni almacena la desbrozadora en cercanía de las llamas de algún fuego.
- Almacene siempre la desbrozadora en lugares bajo llave y con el tanque de combustible vacío.



Siga las indicaciones relevantes para la prevención de accidentes emitidas por las asociaciones comerciales competentes y compañías aseguradoras.

No haga ninguna modificación sobre la desbrozadora puesto que esto pondría en riesgo su seguridad.

La realización de mantenimiento o reparación por el usuario se limita a aquellas actividades como aparecen descritas en el manual de instrucciones. Todo lo demás debe ser realizado por un agente de servicio autorizado. Use sólo piezas de repuesto y accesorios originales que sean suministrados y comercializados por MAKITA.

El uso de accesorios y herramientas no aprobados implica un aumento del riesgo de accidentes.

MAKITA no aceptará responsabilidad alguna por accidentes o daños causados por el uso de piezas de corte y aditamentos no aprobados, ni por los accidente al fijar las piezas de corte o accesorios.

## Primeros auxilios

En caso de accidentes, asegúrese de que cuente con un botiquín de primeros auxilios a su alcance durante las operaciones de corte. Reemplace inmediatamente cualquier artículo que haya utilizado de su botiquín.

## Al solicitar ayuda, por favor proporcione la siguiente información:

- Lugar del accidente
- Lo sucedido
- Número de personas lesionadas
- Tipo de lesiones
- Su nombre



## Empaque

La desbrozadora de MAKITA se entrega en dos cajas de cartón con protección para evitar daños durante el transporte. El cartón es un materia prima básica y por lo tanto es reutilizable consecuentemente o adecuado para reciclarse (reciclaje de papel).



## ESPECIFICACIONES TÉCNICAS EBH252U, EBH252L

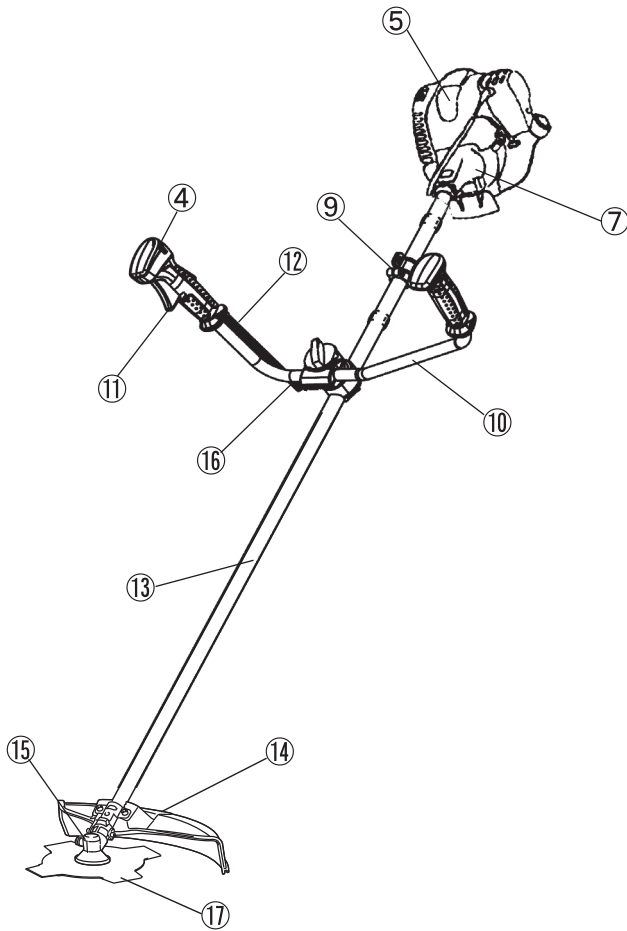
Modelo	EBH252U		EBH252L	
	Mango tipo bicicleta		Mango tipo redondo	
Dimensiones: longitud x amplitud x altura (sin cuchilla cortadora)	mm	1.770 x 620 x 490		1.770 x 330 x 275
Peso (sin protector plástico ni cuchilla cortadora)	kg	5,7		5,3
Volumen (tanque de combustible)	L	0,5		
Volumen (tanque de aceite)	L	0,08		
Desplazamiento del motor	cm <sup>3</sup>	24,5		
Desempeño máximo del motor	kw	0,71 at 7.000 min <sup>-1</sup>		
Velocidad del motor a velocidad máxima recomendada del eje	min <sup>-1</sup>	8.500		
Velocidad máxima del eje (correspondiente)	min <sup>-1</sup>	6.500		
Consumo específico de combustible	kg/h	0,33		
Máximo consumo específico de combustible	g/kwh	408		
Velocidad en estado pasivo	min <sup>-1</sup>	3.000		
Carburador	tipo	WALBRO WYL		
Sistema de encendido	tipo	Estado sólido de encendido		
Bujía de encendido	tipo	NGK CMR4A		
Separación de electrodos	mm	0,7 - 0,8		
Combustible		Gasolina para automóvil		
Aceite para motor		Aceite SAE 10W-30 de clasificación API, Clase SF o superior (para motor de automóvil de cuatro tiempos)		
Piezas de corte (Diámetro de la cuchilla cortadora)	mm	230		
Relación de cambios		14/19		

## ESPECIFICACIONES TÉCNICAS EBH253U, EBH253L

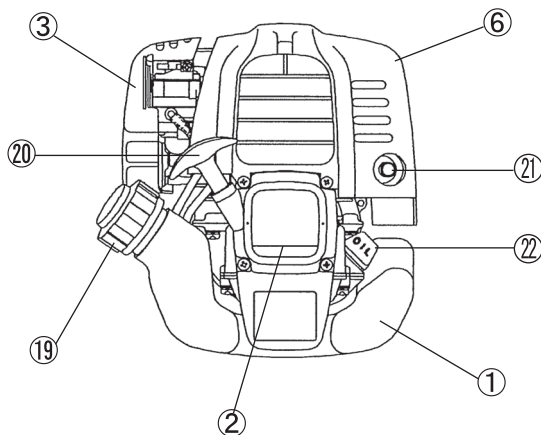
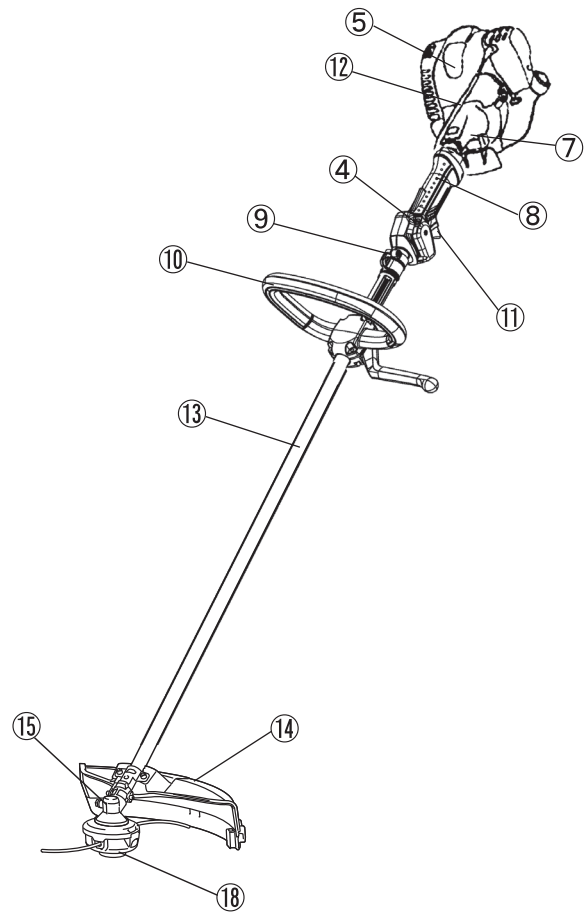
Modelo	EBH253U		EBH253L	
	Mango tipo bicicleta		Mango tipo redondo	
Dimensiones: longitud x amplitud x altura (sin cuchilla cortadora)	mm	1.770 x 620 x 490		1.770 x 330 x 275
Peso (sin protector plástico ni cuchilla cortadora)	kg	5,9		5,4
Volumen (tanque de combustible)	L	0,5		
Volumen (tanque de aceite)	L	0,08		
Desplazamiento del motor	cm <sup>3</sup>	24,5		
Desempeño máximo del motor	kw	0,71 at 7.000 min <sup>-1</sup>		
Velocidad del motor a velocidad máxima recomendada del eje	min <sup>-1</sup>	8.500		
Velocidad máxima del eje (correspondiente)	min <sup>-1</sup>	6.500		
Consumo específico de combustible	kg/h	0,33		
Máximo consumo específico de combustible	g/kwh	408		
Velocidad en estado pasivo	min <sup>-1</sup>	3.000		
Carburador	tipo	WALBRO WYL		
Sistema de encendido	tipo	Estado sólido de encendido		
Bujía de encendido	tipo	NGK CMR4A		
Separación de electrodos	mm	0,7 - 0,8		
Combustible		Gasolina para automóvil		
Aceite para motor		Aceite SAE 10W-30 de clasificación API, Clase SF o superior (para motor de automóvil de cuatro tiempos)		
Piezas de corte (Diámetro de la cuchilla cortadora)	mm	230		
Relación de cambios		14/19		

## IDENTIFICACIÓN DE LAS PIEZAS

**EBH252U  
EBH253U**



**EBH252L  
EBH253L**



LS	IDENTIFICACIÓN DE LAS PIEZAS
1	Tanque del combustible
2	Bobina del arrancador
3	Filtro de aire
4	Interruptor de encendido I-O ("on/off")
5	Bujía de encendido
6	Mofle de escape
7	Carcasa del embrague
8	Empuñadura trasera
9	Colgador
10	Mango
11	Palanca de control
12	Cable de control
13	Astil
14	Protector
15	Carcasa del motor/cabeza
16	Sujetador del mango
17	Cuchilla cortadora
18	Cabeza cortadora de nailon (nylon)
19	Tapa de abastecimiento de combustible
20	Perilla del arrancador
21	Tubo de escape
22	Medidor de aceite

## COLOCACIÓN DEL MANGO

**PRECAUCIÓN:** Antes de realizar cualquier servicio sobre la desbrozadora a gasolina, siempre apague el motor y quite la bujía de encendido de su enchufe para la bujía.  
Use siempre guantes protectores.

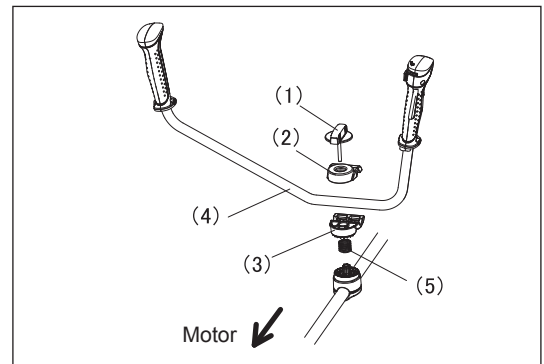
**PRECAUCIÓN:** Arranque la desbrozadora a gasolina sólo tras haberla ensamblado por completo.



### Para modelos equipados con mango tipo bicicleta

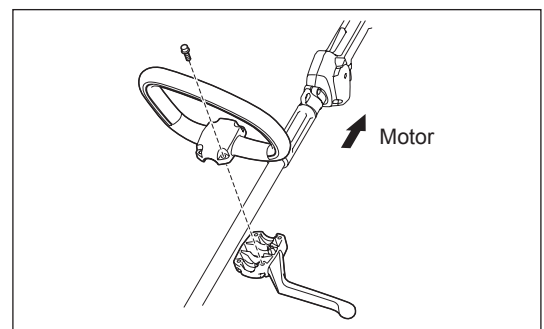
- Afloje la perilla (1).
- Coloque el mango (4) entre la prensa del mango (2) y el sujetador del mango (3).
- Ajuste el mango (4) a un ángulo que ofrezca una posición cómoda para la operación y luego fíjelo firmemente apretando la perilla con la mano (1).

**PRECAUCIÓN:** No olvide la colocación del resorte (5).



### Para modelos equipados con mango tipo redondo

- Fije un tope para el costado izquierdo del equipo en conjunto con el mango para la protección del usuario.
- No ajuste la posición del mango tipo redondo muy pegado a la empuñadura de control. Conserve al menos 250 mm de distancia entre el mango y la empuñadura.  
(se proporciona un collarín para este propósito.)





## COLOCACIÓN DEL PROTECTOR

### ADVERTENCIA:

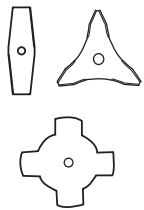

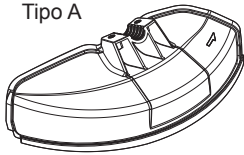
Use siempre el equipo con la combinación apropiada de los equipos de seguridad. De lo contrario, el contacto con la pieza cortadora puede resultar en graves lesiones.

### PRECAUCIÓN:

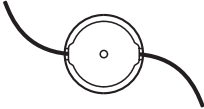
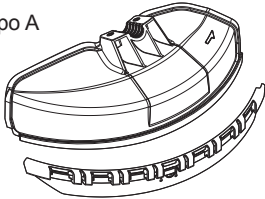
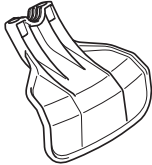
Apriete los pernos izquierdo y derecho uniformemente de tal forma que el espacio entre la prensa y el protector sea constante. De lo contrario, puede que el protector no funcione como debiera.

Para cumplir con las cláusulas de seguridad aplicables, solamente se deben usar las combinaciones de protectores de la herramienta que se indican en la tabla.

### Colocación de la cuchilla metálica

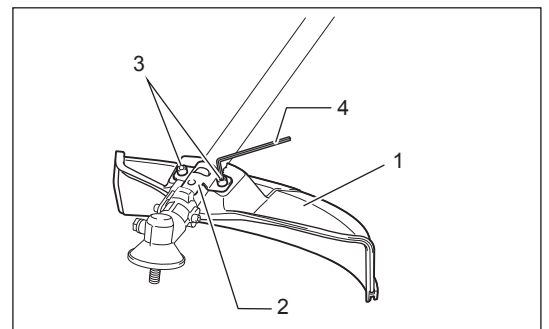
Cuchilla metálica	La arandela de la prensa, el cono y la tuerca son necesarios	Protector
		<p>Tipo A</p> 

### Uso de la cabeza cortadora de nailon

Cabeza cortadora de nailon	Protector
	<p>Tipo A</p>  <p>Tipo B</p> 

### Para la cuchilla metálica

Fije el protector de tipo A (1) a la prensa (2) con dos pernos M6 x 25 (3) con llave hexagonal 5 (4).



### Para cabeza cortadora de nailon (para protector de tipo A)

#### PRECAUCIÓN:

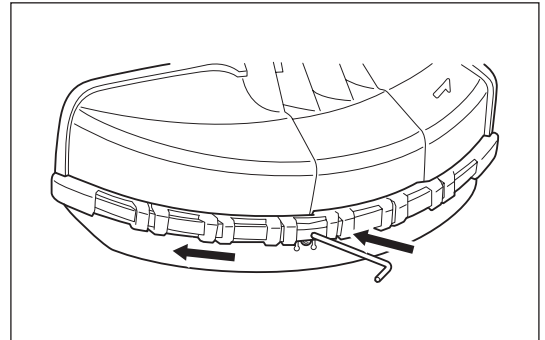
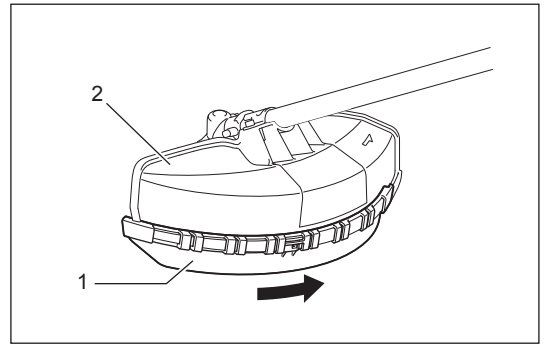
Asegúrese de empujar la extensión del protector (1) hasta que quede insertada completamente.

De lo contrario, puede que la extensión del protector se caiga resultando en lesiones al usuario.

#### PRECAUCIÓN:

Tenga cuidado de no lesionarse con el cortador para cortar el cordón de nailon.

1. Fije el protector a la prensa con dos pernos M6 x 25.
2. Coloque la extensión del protector (1) al deslizarla en su lugar desde el costado del protector de la cuchilla metálica (2).
3. Quite la cinta adherida a la pieza cortadora, la cual corta el cordón de nailon, en la extensión del protector.
4. Para quitar la extensión del protector, coloque la llave hexagonal 4 en la muesca del protector y presiónela mientras desliza la extensión de protector.

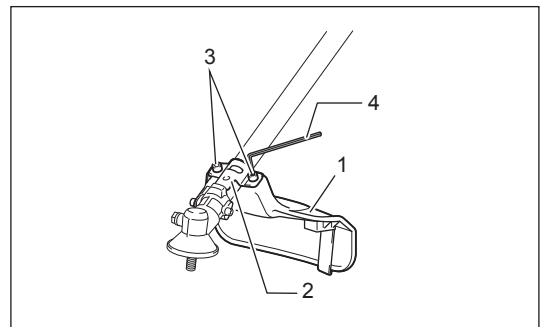


### Para cabeza cortadora de nailon (para protector de tipo B)

#### PRECAUCIÓN:

Tenga cuidado de no lesionarse con el cortador para cortar el cordón de nailon.

Fije el protector (1) a la prensa (2) con dos pernos M6 x 25 (3) con llave hexagonal 5 (4).



## COLOCACIÓN DE LA CUCHILLA CORTADORA O CABEZA CORTADORA DE NAILON (NYLON)

#### PRECAUCIÓN:

**Asegúrese de usar cuchillas cortadoras o cabezas cortadoras de nailon originales de MAKITA.**

- La cuchilla cortadora debe estar bien pulida, sin grietas ni roturas. Si la cuchilla cortadora golpea contra alguna piedra durante la operación, detenga el motor y revise de inmediato la cuchilla.
- Haga un pulido de la cuchilla cortadora o reemplácela cada tres horas de uso.
- Si la cabeza cortadora de nailon golpea contra una piedra durante la operación, detenga el motor y revise de inmediato la cabeza.

#### PRECAUCIÓN:

El diámetro exterior de la cuchilla cortadora debe ser de 230 mm (9 - 1/16"). Nunca utilice cuchillas que excedan los 230 mm (9 - 1/16") de diámetro exterior.

Voltee la herramienta al revés para que pueda reemplazar con facilidad la cuchilla cortadora o la cabeza cortadora de nailon.

## Instalación de la cuchilla metálica

### PRECAUCIÓN:

Use siempre guantes y coloque la cubierta de la cuchilla metálica al manipular la cuchilla cortadora.

1. Instale la arandela receptora (1) en el eje.
2. Inserte la llave hexagonal 4 (2) a través del orificio en la caja de cambios y gire la arandela receptora (1) hasta que quede asegurada en la llave hexagonal.
3. Coloque la cuchilla metálica (3) en el astil de tal forma que la guía de la arandela receptora (1) encaje con el orificio del eje de la cuchilla metálica.
4. Coloque la arandela de la prensa (4), el cono (5) y fije la cuchilla cortadora al girar la tuerca (6) en sentido contrario a las agujas del reloj. [Torsión de apriete: 13 - 23 N-m]
5. Tras instalar la cuchilla metálica, retire la llave hexagonal.

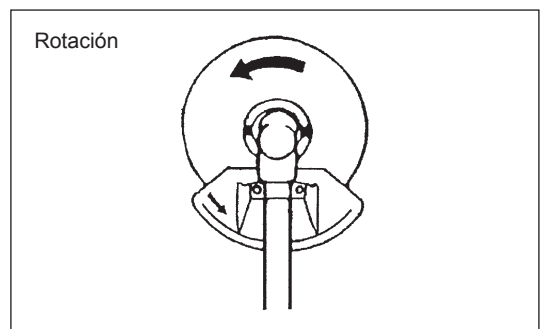
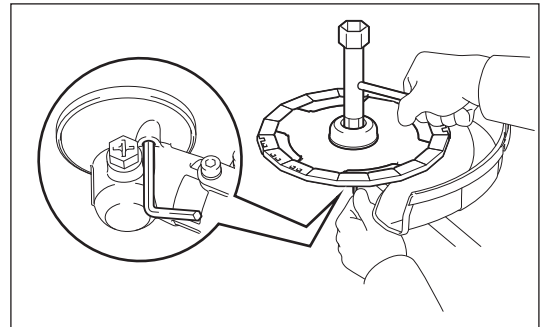
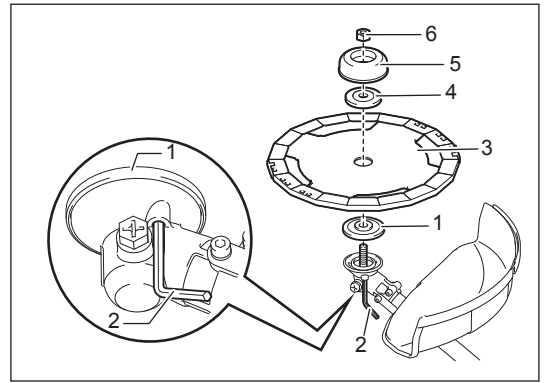
Para quitar la cuchilla metálica, proceda de la siguiente manera:

1. Inserte la llave hexagonal a través del orificio en la caja de cambios y gire la arandela receptora hasta que quede asegurada en la llave hexagonal.
2. Afloje la tuerca hexagonal (flujo a mano derecha) con la llave de tubo y retire la tuerca, la copa, la arandela de la prensa y la llave hexagonal.

### NOTA:

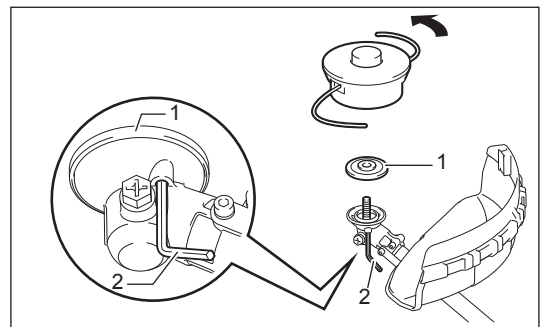
La tuerca de fijación de la cuchilla cortadora (con la arandela de resorte) se desgasta con el transcurso del tiempo. Si se puede apreciar cualquier desgaste o deformación de la arandela de resorte, remplace la tuerca.

Asegúrese de que la cuchilla permanezca orientada hacia arriba.



## Instalación de la cabeza cortadora de nailon

1. Instale la arandela receptora (1) en el eje.
2. Inserte la llave hexagonal (2) a través del orificio en la caja de cambios y gire la arandela receptora (1) hasta que quede asegurada en la llave hexagonal.
3. Luego atornille la cabeza cortadora de nailon en el astil al girarla en sentido contrario a las agujas del reloj.
4. Tras instalar la cabeza cortadora de nailon, retire la llave hexagonal.



## ANTES DE INICIAR LA OPERACIÓN

### Inspeccione y resuministre el aceite del motor

- Realice el siguiente procedimiento, con el motor frío.
- Mientras mantiene el nivel del motor, retire el medidor de aceite y confirme que el aceite se encuentre dentro de las marcas de los límites superior e inferior.

Cuando el aceite sea escaso de tal forma que sólo la punta del medidor de aceite haga contacto con el aceite, especialmente cuando el medir se encuentra insertado en el cárter sin estar atornillado (Figura 1), resuministre con aceite nuevo a través del puerto (Figura 2).

- Para referencia, el tiempo de resuministro de aceite es de alrededor de 10h (10 veces o 10 tanques resuministrados).

Si el aceite cambia de color o se mezcla con partículas de polvo o mugre, reemplace con aceite nuevo. (Para el intervalo y método de reemplazo, consulte P 73)

**Aceite recomendado:** Aceite SAE 10W-30 de Clasificación API, clase SF o superior (para motor de automóvil de 4 tiempos)

**Volumen de aceite:** Aprox. 0,08L

**Nota:** Si no se da un servicio de mantenimiento adecuado al motor, puede que el aceite rodee el motor y que éste sea resuministrado en exceso.

Si el aceite es suministrado por encima del límite, puede que el aceite esté contaminado o que se prenda llama con el humo blanco.

#### Punto 1 en el reemplazo del aceite: “Medidor de aceite”

- Elimine el polvo o mugre cerca del puerto de resuministro de aceite y retire el medidor de aceite.
- Mantenga el medidor de aceite que ha retirado fuera de polvo y tierra. De otra manera, puede que cualquier partícula de polvo o tierra adherida al medidor de aceite cause una circulación irregular o que desgaste las piezas del motor, lo cual resultaría en problemas.
- Como sugerencia de cómo mantener el medidor de aceite limpio, se recomienda que lo inserte sobre el extremo con la perilla en la cubierta del aceite como se ilustra en la Figura 3.



Figura 1

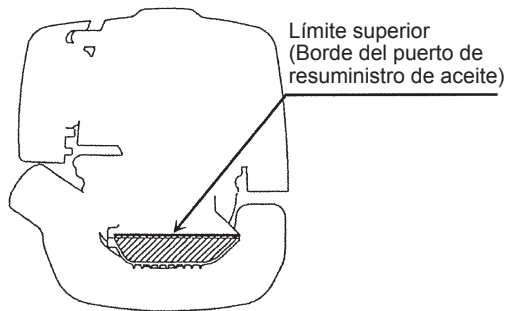


Figura 2

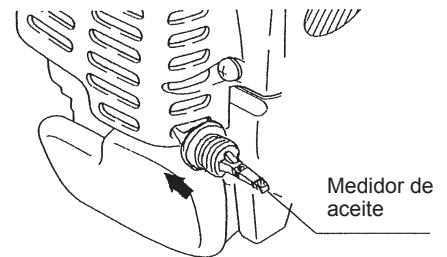
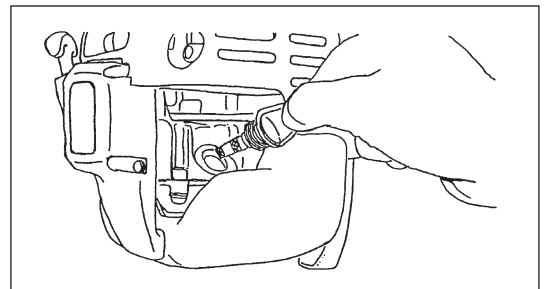
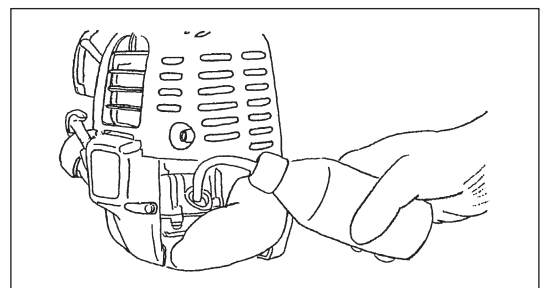


Figura 3

- (1) Mantenga el nivel de aceite y retire el medidor de aceite.



- (2) Llène de aceite hasta el borde del puerto de resuministro de aceite (consulte la Figura 2 en la página anterior).  
Suministre el aceite con el contenedor de resuministro del lubricante.



- (3) Apriete firmemente el medidor de aceite. Puede que un apretado insuficiente cause una fuga de aceite.

### **Punto w en el reemplazo del 2 aceite: “Si hay derrame de aceite”**

- Si el aceite se derrama entre el tanque de combustible y la unidad principal, el aceite se absorbe a través del puerto de la rejilla de ventilación, con lo cual se contaminará el motor. Asegúrese de limpiar con un paño el derrame antes de iniciar la operación.

## **RESUMINISTRO DE COMBUSTIBLE**

### **Manejo del combustible**

El manejo de combustible requiere del máximo cuidado. Puede que el combustible contenga sustancias similares a los disolventes. El resuministro de combustible debe realizarse en un lugar con suficiente ventilación o al aire libre. Nunca inhale el vapor y manténgase alejado del combustible. Si su piel llega a tener contacto con el combustible en repetidas o prolongadas ocasiones, la piel se reseca con lo cual puede que se desarrolle una alergia o enfermedad de la piel. Si los ojos llegan a tener contacto con el combustible, lávelos con agua fresca. Si persisten las molestias con los ojos, consulte a su médico.

### **Periodo de almacenamiento del combustible**

El combustible deberá usarse dentro de un periodo de 4 semanas, aún cuando éste sea almacenado en un contenedor especial en un lugar bien ventilado sin exposición al sol.

Si un contenedor especial no es utilizado o si éste no es cerrado, puede que el combustible se deteriore en un día.

### **ALMACENAMIENTO DEL EQUIPO Y RESUMINISTRO DEL TANQUE**

- Conserve el equipo y tanque en un lugar fresco y sin exposición directa a la luz del sol.
- Nunca almacene el combustible en algún gabinete, cajón o similar.

### **Combustible**

El motor es de cuatro tiempos. Asegúrese de utilizar gasolina para automóvil (gasolina común o de calidad superior, sin plomo).

### **Puntos para el combustible**

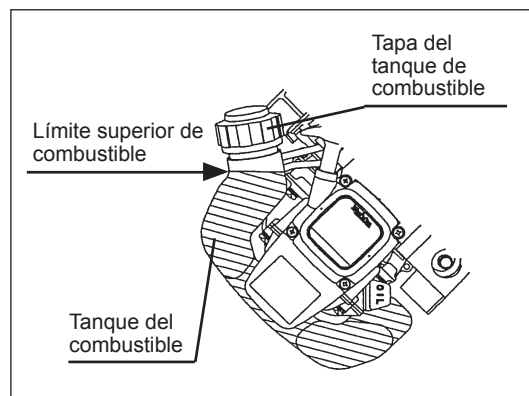
- Nunca use gasolina mezclada que contenga aceite para motor. De lo contrario, se producirá un exceso en la acumulación de carbono o se ocasionarán problemas mecánicos.
- El uso de aceite deteriorado causará un arranque irregular.

### **Resuministro de combustible**

#### **ADVERTENCIA: SUSTANCIAS O MATERIA INFLAMABLE QUEDA Estrictamente Prohibido**

**Gasolina a ser usada:** Gasolina para automóvil (sin plomo)

- Afloje la tapa del tanque levemente de tal forma que no haya diferencial con la presión atmosférica.
  - Luego quite la tapa del tanque y resuministre el combustible, eliminando el aire al inclinar el tanque de combustible de tal forma que el puerto para resuministro quede orientado hacia arriba. (Nunca resuministre el combustible a través del puerto de resuministro de aceite.)
  - Limpie bien el borde y alrededor de la tapa del tanque para prevenir que partículas ajenas se introduzcan al tanque de combustible.
  - Tras resuministrar el combustible, fije con firmeza la tapa del tanque.
- Si observa cualquier desperfecto o daño con la tapa del tanque, reemplácela.
  - La tapa del tanque es propensa a desgastarse con el uso, por lo tanto deberá renovarla cada dos a tres años.



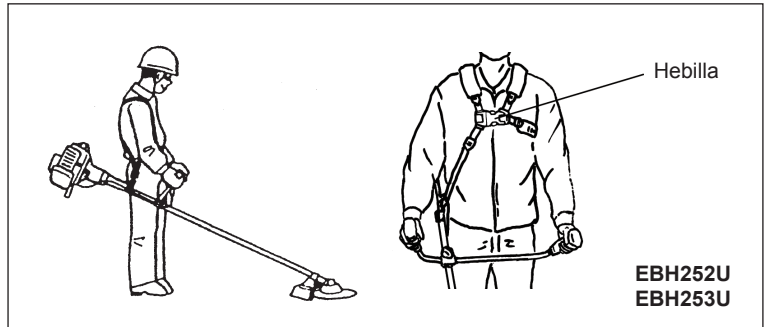
## MANEJO CORRECTO DEL EQUIPO

### Colocación de la correa de hombro

- Ajuste la longitud de la correa de tal forma que la cuchilla cortadora quede paralelo con el suelo.

### Para EBH252U, EBH253U

- NOTA: Tenga la precaución de que la ropa, entre otras cosas, no queden atrapados en la hebilla.

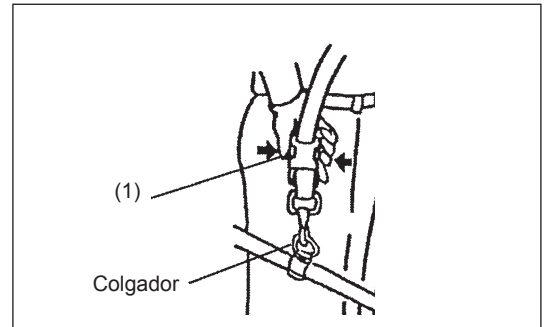


### Desprendimiento

#### Para EBH252L, EBH253L

- En una emergencia, empuje las muescas (1) a ambos lados para que el equipo pueda desprenderse de usted. Tenga extremo cuidado en mantener control sobre el equipo durante este momento. No deje que el equipo se desvíe hacia usted ni hacia otra persona alrededor.

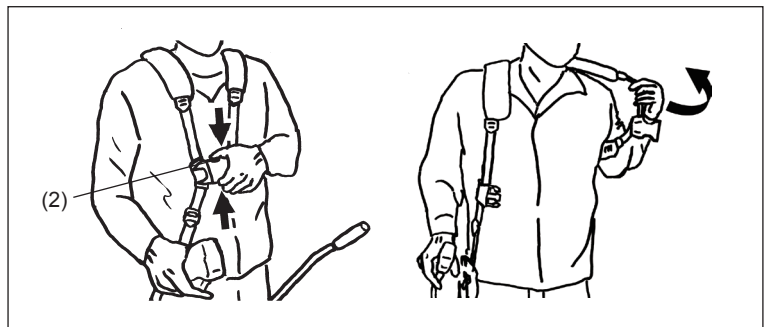
ADVERTENCIA: No tener un completo control del equipo puede resultar en serias lesiones al cuerpo o incluso la MUERTE.



#### Para EBH252U, EBH253U

- En una emergencia, empuje las muescas (2) a ambos lados para que el equipo pueda desprenderse de usted. Tenga extremo cuidado en mantener control sobre el equipo durante este momento. No deje que el equipo se desvíe hacia usted ni hacia otra persona alrededor.

ADVERTENCIA: No tener un completo control del equipo puede resultar en serias lesiones al cuerpo o incluso la MUERTE.

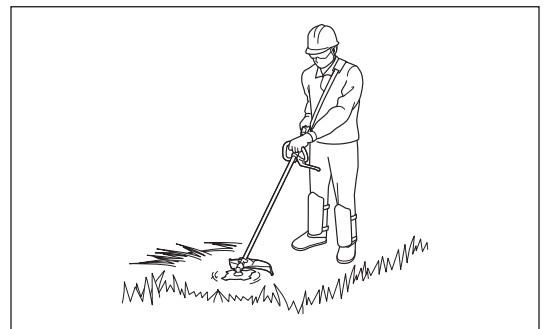


### ADVERTENCIA:

Posicione siempre la herramienta sobre su costado derecho. El posicionamiento adecuado la herramienta permite un óptimo control y reducirá el riesgo de lesiones graves al usuario causadas por algún retroceso brusco.

### ADVERTENCIA:

Tenga extremo cuidado en mantener control sobre la herramienta en todo momento. No deje que la herramienta se desvíe hacia usted ni hacia otra persona alrededor. No seguir esta indicación podría resultar en graves lesiones a alguna de las personas alrededor o al mismo operador.



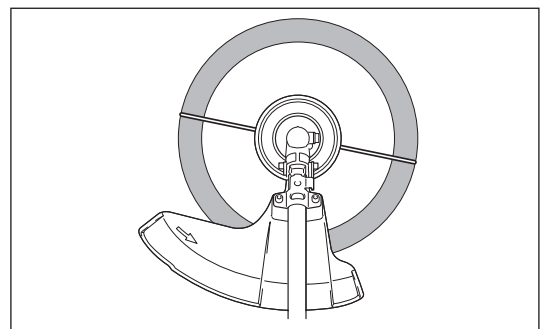
### Operación de la cabeza cortadora de nailon

La cabeza cortadora de nailon consiste de una cabeza de dos cuerdas que incluye mecanismos de golpeteo y alimentación.

Para provocar la alimentación del cordón de nailon, ligeramente golpetee la cabeza cortadora de nailon contra el suelo mientras esté girando. El área de corte más eficiente se muestra por el área sombreada.

### NOTA:

Si el cordón de nailon no reacciona con el ligero golpeteo, retracte/reemplace el cordón de nailon siguiendo los procedimientos descritos en "INSTRUCCIONES DE SERVICIO".



## PUNTOS EN LA OPERACIÓN Y CÓMO DETENER LA OPERACIÓN

Siga las normas correspondientes para la prevención de accidentes.

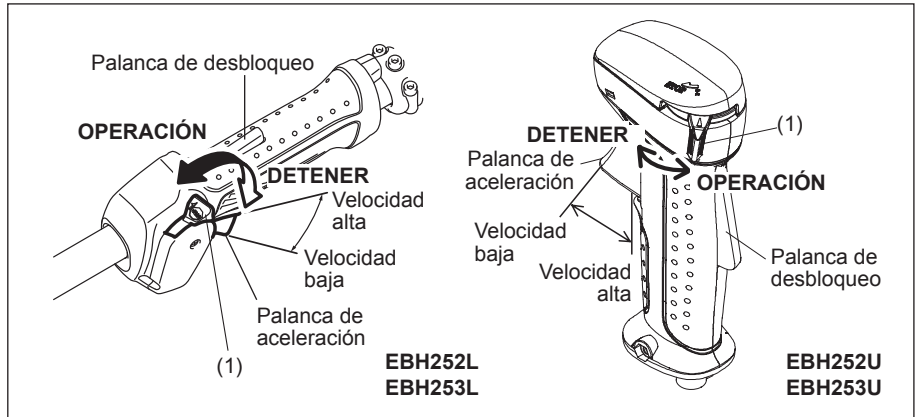


### ARRANQUE DEL EQUIPO

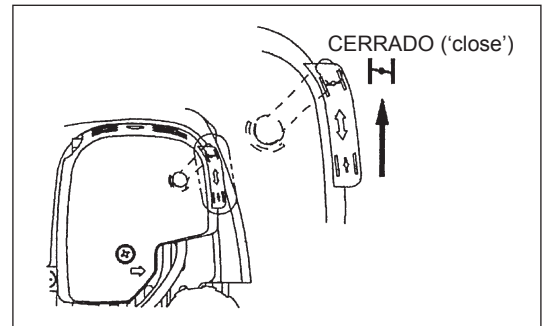
Aléjese al menos 3 m (diez pies) del lugar en donde realizó el reabastecimiento de combustible. Coloque la desbrozadora a gasolina sobre una parte despejada del suelo cuidando que la pieza de corte no tenga contacto con el suelo ni con ningún otro objeto.

#### A: Arranque en frío

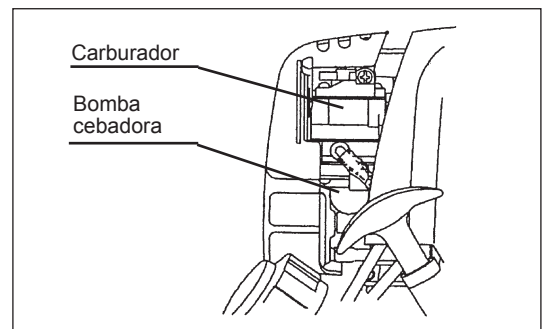
- 1) Coloque este equipo sobre una superficie plana.



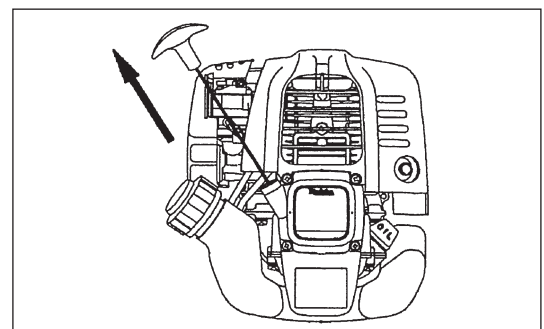
- 2) Ajuste el interruptor I-O (1) a 'OPERATION' (operación).
- 3) Palanca dosificadora  
Cierre la palanca dosificadora.  
Abertura de la dosificación:  
– Cerrado total en frío o cuando el motor esté frío.  
– Abertura total o parcial en reinicio justo tras la operación de detener.



- 4) Bomba cebadora  
Continúe bombeando el cebador hasta que el combustible ingrese a la bomba (en general, el combustible ingresa a la bomba tras 7 a 10 bombeos.)  
Si la bomba cebadora es bombeada en exceso, se retornará un exceso de combustible al tanque.



- 5) Arrancador retráctil  
Jale la perilla del arrancador suavemente hasta el primer indicio de resistencia (punto de compresión). Luego, regrese la perilla y vuelva a jalarla con fuerza.  
Nunca jale el cordón hasta el máximo. Una vez que se jale la perilla de arranque, no la suelte de inmediato; sosténgala hasta que regrese a su posición original.



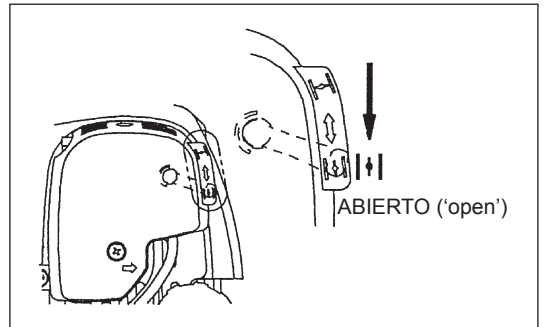
## 6) Palanca dosificadora

Cuando el motor arranque, abra la palanca dosificadora.

- Abra la palanca dosificadora gradualmente mientras verifica la operación del motor. Asegúrese de llegar a abrir la palanca dosificadora por completo al final.
- Nunca abra la palanca dosificadora de forma repentina con el motor enfriado o al arrancar en frío. De lo contrario, puede que el motor se apague.

## 7) Operación de calentamiento

Continúe la operación de calentamiento de 2 a 3 minutos.



Nota: - Si el mango del arrancador se jala repetidamente mientras la palanca dosificadora permanece en la posición cerrada ("CLOSE"), el motor no arrancará fácilmente debido a la entrada excesiva de combustible.

- En caso de una entrada excesiva de combustible, retire la bujía de encendido y jale el mango del arrancador lentamente para eliminar el exceso de combustible. También, seque la sección del electrodo de la bujía de encendido.

## Precaución durante la operación:

Si la palanca de aceleramiento se abre por completo en una operación sin carga, la rotación del motor se incrementa a 10.000 min<sup>-1</sup> o más. Nunca opere el motor a una velocidad mayor de la necesaria, procurando que esté a una velocidad de entre 6.000 y 8.500 min<sup>-1</sup>.

## B: Arranque tras la operación de calentamiento

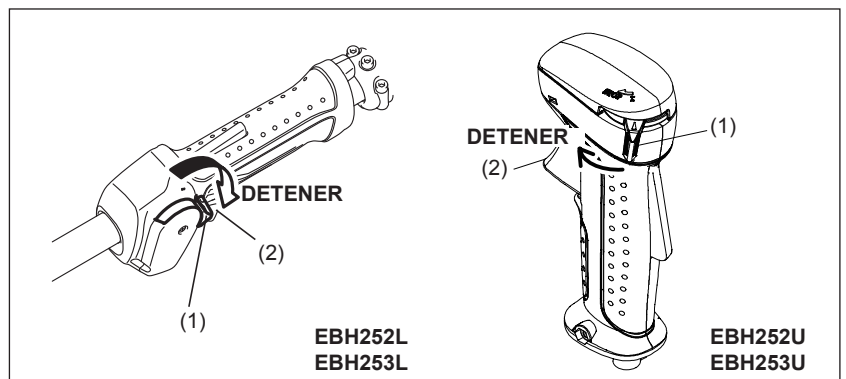
- 1) Bombee el cebador repetidamente.
- 2) Mantenga la palanca aceleradora en la posición pasiva.
- 3) Jale el arrancador retráctil con fuerza.
- 4) Si se dificulta arrancar el motor, abra el acelerador alrededor de 1/3. Esté atento de la cuchilla cortadora el cual puede girar.

### Atención en la operación

Cuando el motor se encuentre operando en posición invertida, puede que salga humo blanco del mofle.

## DETENIDO DE LA OPERACIÓN

- 1) Libere la palanca aceleradora (2) por completo, y al desacelerarse la velocidad del motor, ajuste el interruptor I-O a la posición de detenido ('STOP') y el motor parará.
- 2) Tenga en cuenta que puede que la cabeza cortadora no se detenga inmediatamente y permita que se desacelere por completo.



## AJUSTE DE LA ROTACIÓN DE BAJA VELOCIDAD (ESTADO PASIVO)

Cuando sea necesario, ajuste la velocidad de baja velocidad (estado pasivo) mediante el tornillo de ajuste del carburador.

## REVISIÓN DE LA ROTACIÓN DE BAJA VELOCIDAD

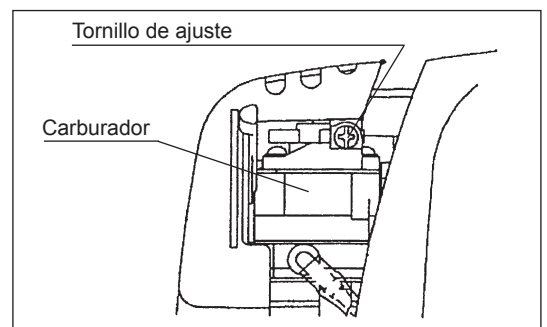
### PRECAUCIÓN:

Puede que el aditamento cortador esté girando durante los ajustes al carburador. Use su equipo protector y observe todas las instrucciones de seguridad. Asegúrese de que el aditamento cortador se detenga cuando el motor esté corriendo en marcha pasiva.

### PRECAUCIÓN:

Al apagar el equipo, asegúrese de que el aditamento cortador se detenga antes de poner el equipo en el suelo.

- Ajuste la rotación de baja velocidad a 3.000 min<sup>-1</sup>. Si es necesario cambiar la velocidad de rotación, reajuste el tornillo de ajuste (que se ilustra a la derecha) con un destornillador Phillips (de cruz).
- Gire el tornillo de ajuste a la derecha para aumentar la rotación del motor. Gire el tornillo de ajuste a la izquierda para disminuir la rotación del motor.
- Por lo general, el carburador viene ajustado de fábrica. De ser necesario reajustarlo, póngase en contacto con un Agente de Servicio Autorizado.





## INSTRUCCIONES DE SERVICIO

**PRECAUCIÓN:** Antes de realizar cualquier servicio sobre la desbrozadora, siempre apague el motor y quite la bujía de encendido de su enchufe para la bujía (consulte "revisión de la bujía de encendido"). Use siempre guantes protectores.

Para asegurar un largo tiempo de vida útil y evitar daños al equipo, las siguientes operaciones de servicio de mantenimiento deben realizarse en intervalos periódicos.

### Revisión y mantenimiento diario

- Antes de la operación, revise el equipo para ver si hay tornillos sueltos o piezas ausentes. Ponga especial atención a qué tan bien apretado está la cuchilla cortadora o la cabeza cortadora de nailon (nylon).
- Ante de la operación, siempre revise si hay congestión por residuos en el conducto de aire para el enfriamiento, así como en las rendijas del cilindro.  
Limpie de ser necesario.
- Realice la siguiente labor diaria tras el uso:
  - Limpie la desbrozadora externamente e inspeccione para ver si hay daños.
  - Limpie el filtro del aire. Al trabajar en condiciones con demasiado polvo, limpie el filtro varias veces al día.
  - Revise si la cuchilla o la cabeza cortadora de nailon (nylon) tiene daños, y asegúrese de que esté firmemente colocado(a).
  - Revise que haya suficiente diferencia entre las velocidades en estado pasivo y en estado máximo de operación para asegurar que la pieza de corte se detenga por completo mientras el motor esté en estado pasivo (reduzca la velocidad en estado pasivo en caso de ser necesario).  
Si al estar bajo estado pasivo la herramienta continúa corriendo, acuda a su Agente de Servicio Autorizado más cercano.
- Revise que el funcionamiento del interruptor I-O, la palanca de bloqueo, la palanca de control y el botón de bloqueo.

### Reafilado de cuchilla metálica

**PRECAUCIÓN:**

Las cuchillas metálicas debe reafilarse solamente en un centro de servicio autorizado. El reafilado manual puede que ocasione un desequilibrio en la pieza cortadora que resulte en vibraciones y daños al equipo.

**NOTA:** Para aumentar la vida útil de la cuchilla cortadora puede que sea volteada sobre su otro lado, hasta que ambos bordes de corte se desafilan.

### REEMPLAZO DEL ACEITE DEL MOTOR

El aceite deteriorado puede acortar la vida útil de las piezas deslizantes y giratorias en gran medida. Asegúrese de verificar el periodo y cantidad de aceite a ser reemplazado.



**ATENCIÓN:** En general, el motor de la unidad principal y el aceite del motor permanecen calientes tras haber apagado el motor. En el reemplazo de aceite, confirme que el motor de la unidad principal y el aceite del motor se haya enfriado lo suficiente. De lo contrario, puede que quede riesgo de quemaduras.

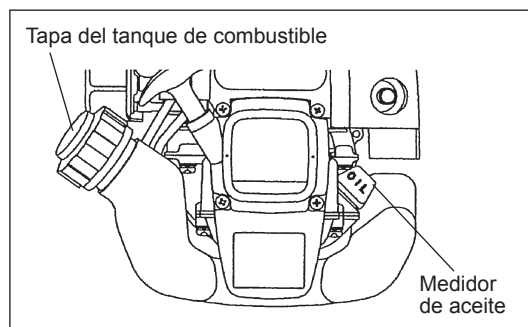
**Nota:** Si el aceite es suministrado por encima del límite, puede que éste se contamine o que se prenda en llamas con el humo blanco.

**Intervalo de reemplazo:** Inicialmente, cada 20 horas de uso y subsecuentemente cada 50 horas de operación

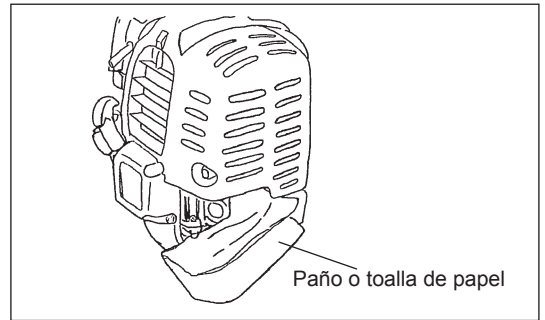
**Aceite recomendado:** Aceite SAE 10W-30 de Clasificación API, clase SF o superior (para motor de automóvil de 4 tiempos)

En el reemplazo, realice el siguiente procedimiento.

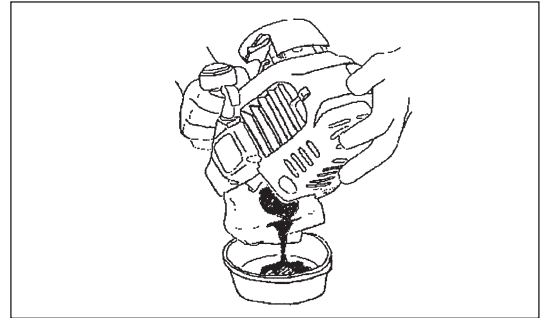
- 1) Confirme que la tapa de tanque esté apretada firmemente.
- 2) Retire el medidor del aceite.  
Mantenga el medidor del aceite libre de polvo y mugre.



3) Coloque el paño o toalla de papel cerca del puerto de suministro de aceite.

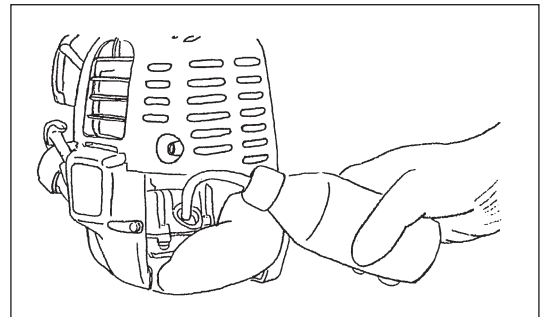


4) Retire el medidor de aceite y drene el aceite inclinando la unidad principal hacia el puerto de suministro de aceite. Drene el aceite en un contenedor para su desecho apropiado.



5) Mantenga el nivel del motor y suministre el nuevo aceite a través del borde del puerto del suministro de aceite. Al resumistrar, use un contenedor de suministro de lubricante.

6) Tras resumistrar, apriete firmemente el medidor de aceite. De lo contrario, el medidor de aceite provocará una fuga de aceite.



### PUNTOS SOBRE EL ACEITE

- Nunca deseche el aceite viejo del motor en la basura, ni lo tire al suelo o drenaje. El desecho de aceite está reglamentado por la ley. Al desechar, siempre acate las leyes y reglamentaciones correspondientes. Para cualquier otro punto desconocido, póngase en contacto con un Agente de Servicio Autorizado.
- El aceite se deteriora incluso si se conserva sin usar. Realice la inspección y el reemplazo a intervalos periódicos (reemplace con nuevo aceite cada 6 meses).

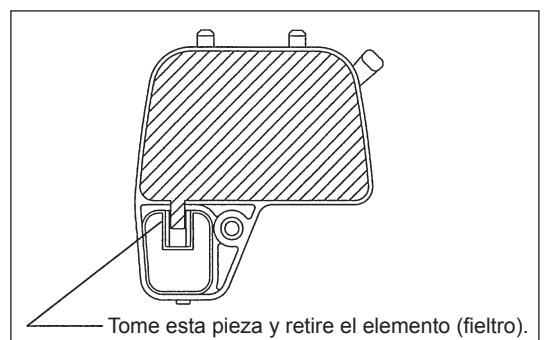
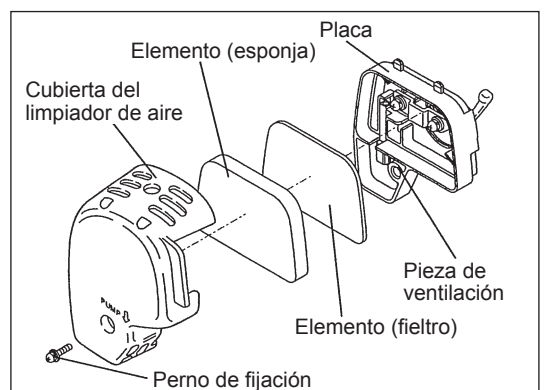
### LIMPIEZA DEL FILTRO DE AIRE



**PELIGRO: SUSTANCIAS O MATERIA INFLAMABLE QUEDA ESTRUCTAMENTE PROHIBIDO**

**Intervalo de limpieza e inspección: Diario (cada 10 horas de operación)**

- Gire la palanca dosificadora completamente al lado cerrado y mantenga el carburador fuera de polvo y partículas.
- Retire los pernos fijadores de la cubierta del limpiador de aire.
- Jale el lado inferior de la cubierta y desprenda la cubierta del limpiador de aire.
- Si hay aceite que se adhiere al elemento (esponja), exprima con firmeza.
- Para la contaminación profunda:
  - 1) Retire el elemento (esponja), sumerja en agua tibia o en agua diluida con un detergente neutro y luego seque por completo.
  - 2) Limpie el elemento (filtro) con gasolina, y seque completamente.
- Antes de colocar el elemento, asegúrese de haberlo secado por completo. De lo contrario, puede que el elemento dificulte el arranque del equipo.
- Limpie con un paño el aceite que se haya adherido alrededor de la cubierta del limpiador de aire y de la placa de ventilación.
- Inmediatamente tras terminar la limpieza, coloque la cubierta del limpiador y apriete con los pernos de fijación (al reinstalar, primero coloque la pinza superior y luego la inferior.)



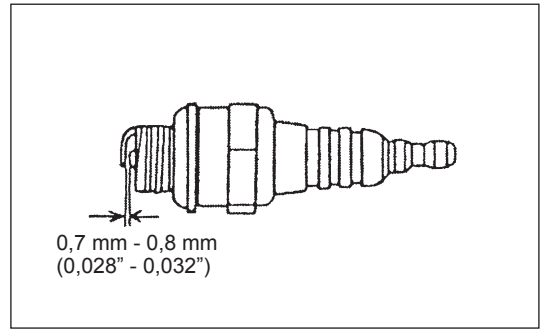
### Puntos en el manejo del elemento del limpiador de aire

- Limpie el elemento varias veces al día en caso de que adhiera polvo en exceso.
- Si la operación continúa con el elemento sin haberse limpiado del aceite, puede que el aceite en el limpiador de aire se salga, resultando en la contaminación de aceite.

## REVISIÓN DE LA BUJÍA DE ENCENDIDO

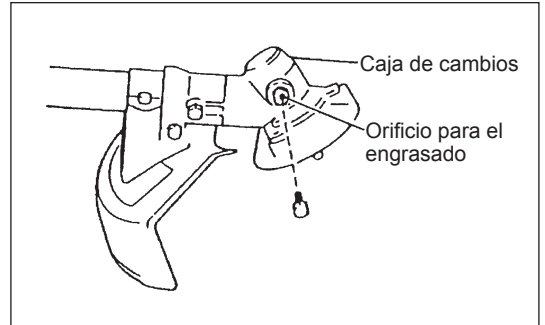
- Use sólo la llave universal incluida para quitar o poner la bujía de encendido.
- El espacio entre los dos electrodos de la bujía de encendido debe ser de 0,7 a 0,8 mm (0,028" - 0,032"). Si el espacio está muy amplio o muy estrecho, ajústelo. Si la bujía de encendido está congestionada con contaminada, límpiela bien o reemplácela.

**PRECAUCIÓN:** Nunca toque el conector de la bujía de encendido mientras el motor está corriendo (peligro de descarga eléctrica de alto voltaje).



## REALICE EL ENGRASADO DE LA CAJA DE CAMBIOS

- Aplique grasa (Shell Alvania 2 o equivalente) al contenedor de grasa por el orificio de suministro cada 30 horas. (La grasa original MAKITA puede adquirirse con su distribuidor de productos MAKITA.)



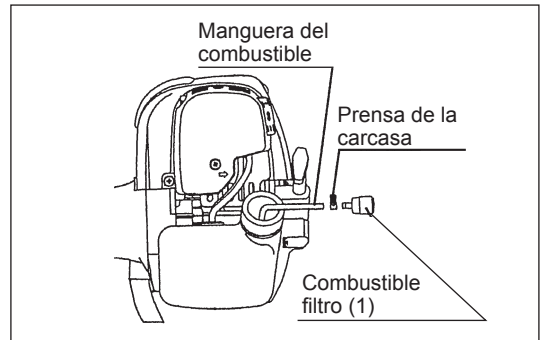
## LIMPIEZA DEL FILTRO DE COMBUSTIBLE

### ADVERTENCIA: SUSTANCIAS O MATERIA INFLAMABLE QUEDA ESTRICTAMENTE PROHIBIDO

Intervalo de limpieza e inspección: Mensual (cada 50 horas de operación)

#### Cabeza de succión en el tanque de combustible

- El filtro de combustible (1) de la cabeza de succión se utiliza para filtrar el combustible requerido por el carburador.
- Se debe realizar una revisión visual periódica del filtro de combustible. Para dicho propósito, proceda con abrir la tapa del tanque y utilice un gancho de alambre para jalar la cabeza de succión a través de la abertura del tanque. Los filtros que se hayan endurecido, contaminado o congestionado con partículas deben ser reemplazados.
- El suministro insuficiente de combustible puede resultar en que la velocidad máxima permitida sea excedida. Por lo tanto es importante reemplazar el filtro de la gasolina al menos cada tres meses para asegurar un suministro adecuado de combustible para el carburador.



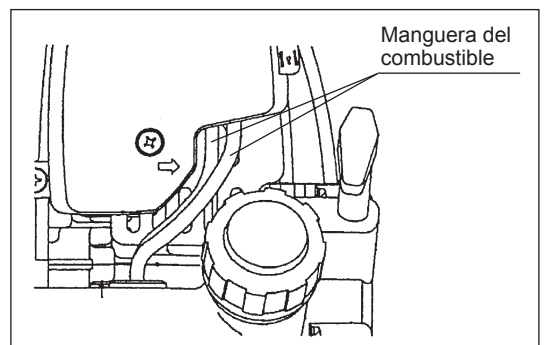
## REEMPLAZO DE LA MANGUERA DEL COMBUSTIBLE

### PRECAUCIÓN: SUSTANCIAS O MATERIA INFLAMABLE QUEDA ESTRICTAMENTE PROHIBIDO

Intervalo de limpieza e inspección: Diario (cada 10 horas de operación)

Reemplazo: Anual (cada 200 horas de operación)

Reemplace la manguera del combustible cada año, independientemente de la frecuencia de uso. La fuga de combustible puede ocasionar incendios. Si se detecta cualquier fuga durante la inspección, reemplace la manguera inmediatamente.



## INSPECCIÓN DE PERNOS, TUERCAS Y TORNILLOS

- Reapriete los pernos, tuercas, etc.
- Verifique si hay fugas de combustible y aceite.
- Reemplace las piezas dañadas con refacciones nuevas para una operación segura.

## LIMPIEZA DE LAS PIEZAS

- Mantenga siempre el motor limpio.
- Mantenga las aspas del cilindro libres de polvo y mugre. El polvo o la mugre que se adhieren a las aspas causarán atascamiento al pistón.

## REEMPLAZO DE SELLOS Y EMPAQUES

Al reensamblar tras la desinstalación del motor, asegúrese de reemplazar los sellos y empaques viejos con nuevos.

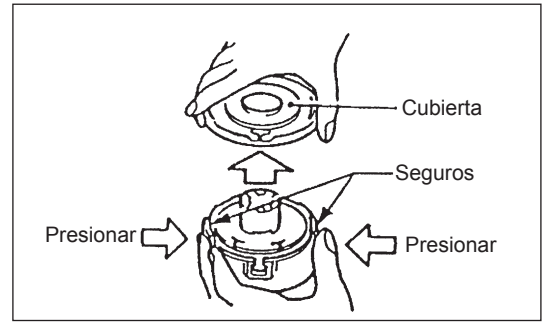
Cualquier servicio de mantenimiento o ajuste que no esté incluido o descrito en este manual sólo deberá realizarse por un Agente de Servicio Autorizado.

## Remplazo del cordón de nailon

### (Para ultra auto 4)

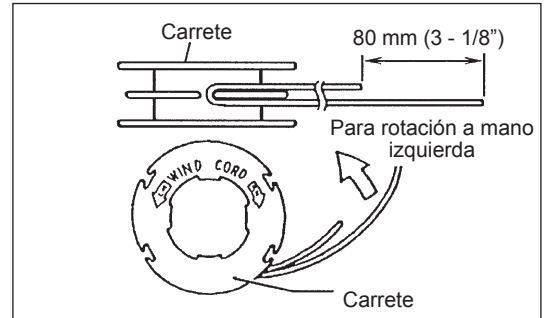
Primero, apague el motor.

Presione hacia adentro sobre los seguros de la carcasa para levantar la cubierta y luego retire el carrete.

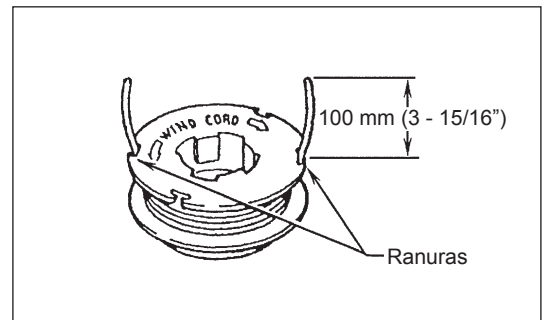


Enganche el centro del nuevo cordón de nailon (nylon) en la muesca central del carrete, con uno de los extremos del cordón extendido unos 80 mm (3-1/8") más que el otro.

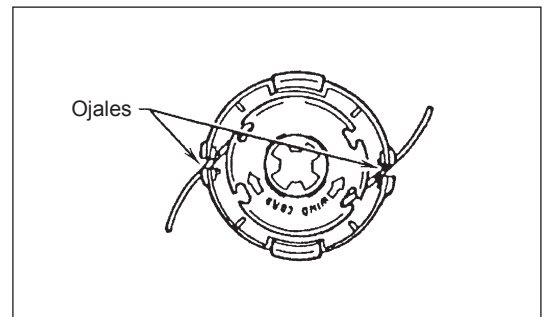
Luego embobine ambos extremos firmemente alrededor del carrete en dirección de la rotación de la cabeza (dirección a mano izquierda indicada por LH y dirección a mano derecha indicada por RH sobre el costado del carrete).



Embobine todo, dejando alrededor de 100 mm (3 - 15/16") de los cordones, dejando que los extremos temporalmente enganchados a través de la muesca en el costado del carrete.

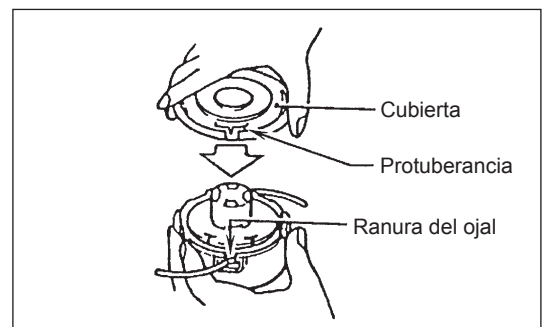


Coloque el carrete en la carcasa de tal forma que los dientes y protuberancias sobre encajen como corresponda. Mantenga el costado con las letras en el carrete visibles sobre la parte superior. Y ahora desenganche los extremos del cordón de su posición temporal e introdúzcalos por los ojales para que salgan de la carcasa.



Alinee la protuberancia sobre el lado inferior de la cubierta con las ranuras de los ojales.

Luego empuje la cubierta con firmeza en la carcasa para fijarla.

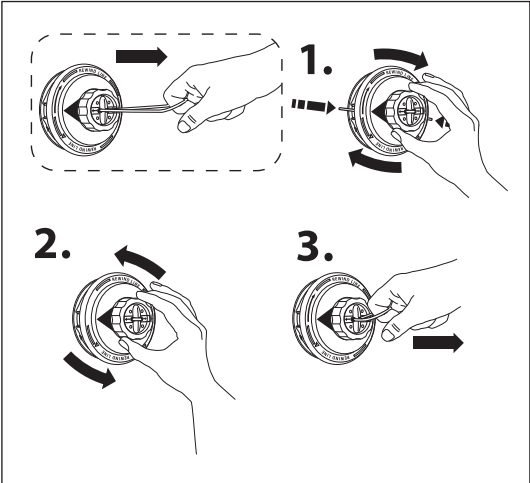


**(Para Proulx)**

Primero, pare el motor.

Sujete la carcasa con firmeza y gire el carrete en sentido de las agujas del reloj hasta que el cordón de nailon restante se retraiga en la carcasa, y gire un poco hacia adelante y luego un poco hacia atrás repetitivamente para aliviar la tensión del cordón.

Sujete el aro sobre la parte superior del carrete y jale del carrete.

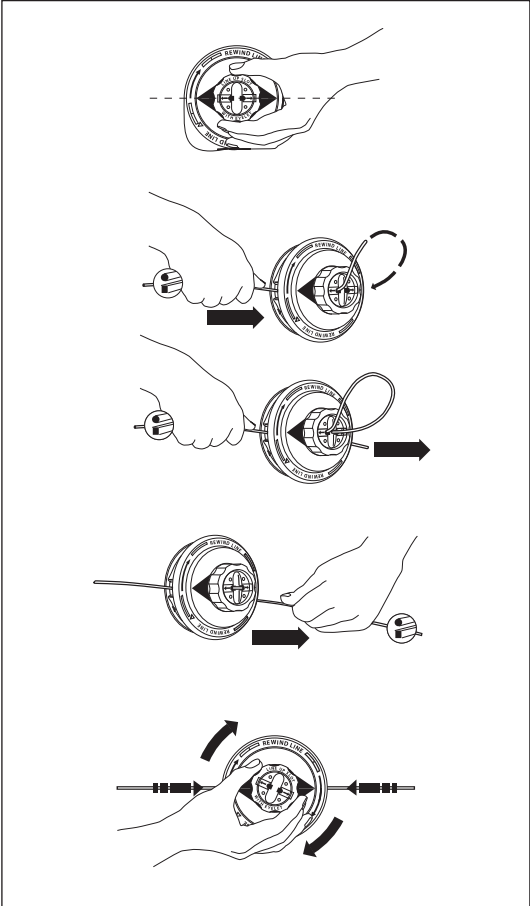


Prepare un cordón de nailon con las siguientes especificaciones.  
4,5 m (15 ft) de longitud  
2,4 mm (0,095") de diámetro de cordón redondo o 2,0 mm (0,08") diagonal de cordón cuadrado.  
Alinee la flecha sobre el carrete con los ojales sobre la carcasa.

Introduzca un extremo del cordón de nailon por el ojal sobre el lado de la carcasa y alimente a través del orificio sobre la parte superior del carrete, y luego reintrodúzcalo en el segundo orificio en la parte superior del carrete. Empuje el cordón de nailon en los orificios hasta que el cordón se alimente a través de los ojales en el lado de la carcasa.

Empuje el cordón de nailon en los orificios que se alimentan a través de los ojales en el lado de la carcasa hasta que quede con la misma longitud por ambos lados.

Sujete la carcasa con firmeza y gire el carrete en sentido de las agujas del reloj para rebobinar el cordón de nailon en el carrete.



**(Para B&F4 / Z5)**

**ADVERTENCIA:** Asegúrese de que la cubierta de la cabeza cortadora de nailon quede fija en la carcasa de forma correcta como se describe a continuación. No asegurar que la cubierta haya quedado correctamente fija puede que cause que la cabeza cortadora de nailon salga arrojada resultando en graves lesiones a la persona.

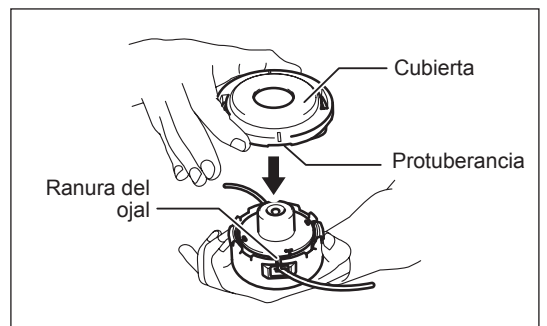
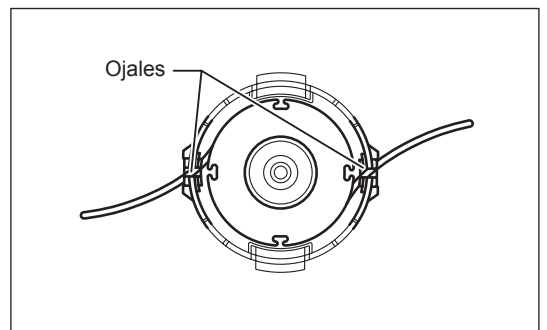
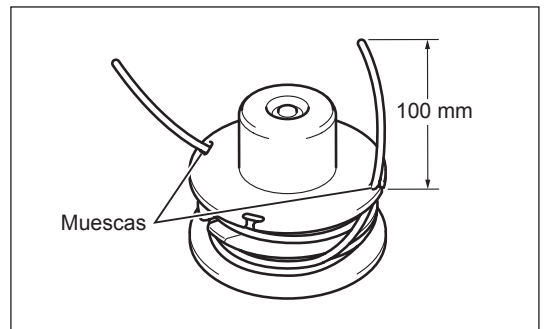
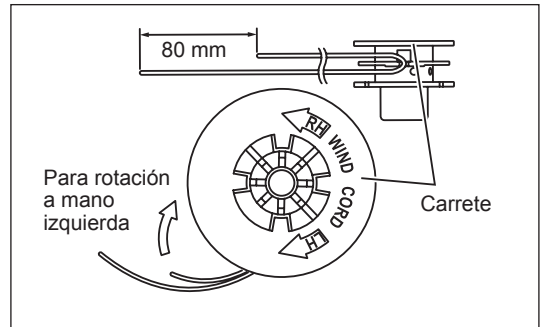
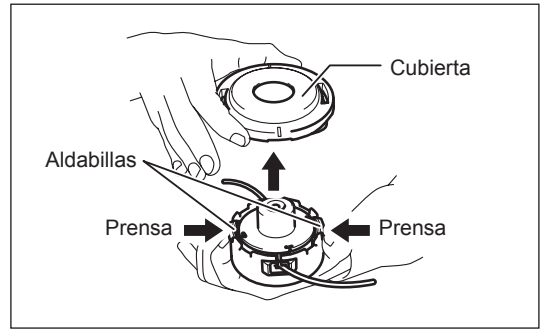
Presione hacia adentro sobre las aldabillas de la carcasa y levante para quitar la cubierta.  
Deseche cualquier residuo del cordón de nailon que haya quedado.

Enganche la sección media del nuevo cordón de nailon a la ranura ubicada en el centro del carrete entre los 2 canales designados para el cordón de nailon. Un extremo del cordón deberá quedar alrededor de 80 mm más largo que el otro extremo.  
Enrolle ambos extremos firmemente alrededor del carrete en la dirección marcada sobre la cabeza para dirección a mano izquierda indicada por "LH".

Embobine todo, dejando alrededor de 100 mm de los cordones, dejando los extremos temporalmente enganchados a través de la muesca en el costado del carrete.

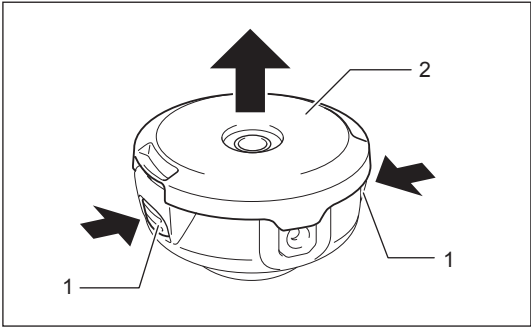
Coloque el carrete en la carcasa de tal forma que las ranuras y protuberancias en el carrete encajen con los de la carcasa. Mantenga el costado con las letras en el carrete visibles sobre la parte superior. Y ahora desenganche los extremos del cordón de su posición temporal e introdúzcalos por los ojales para que salgan de la carcasa.

Alinee la protuberancia sobre el lado inferior de la cubierta con las ranuras de los ojales.  
Luego empuje la cubierta con firmeza en la carcasa para fijarla. Asegúrese que las aldabillas queden completamente extendidas en la cubierta.

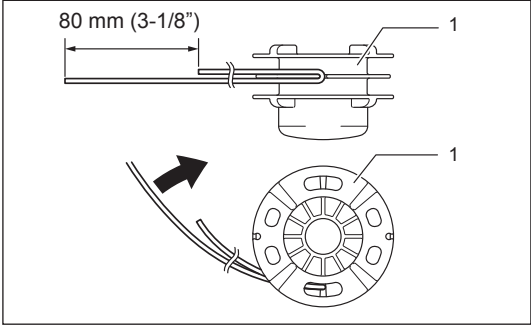


**(Para sistema de golpeo y alimentación)**

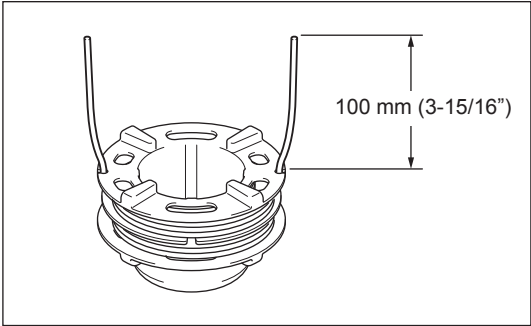
Primero, pare el motor.  
Presione hacia adentro sobre las aldabillas (1) de la carcasa para levantar la cubierta (2) y luego retire el carrete.



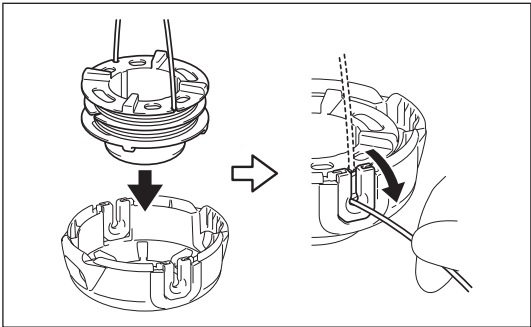
Enganche el centro del cordón nuevo de nailon en la muesca al centro del carrete (1), con uno de los extremos extendiéndose unos 80 mm (3 - 1/8") más que el otro extremo. Luego embobine ambos extremos firmemente alrededor del carrete en dirección de la rotación de la cabeza (dirección a mano izquierda indicada por LH sobre el costado del carrete).



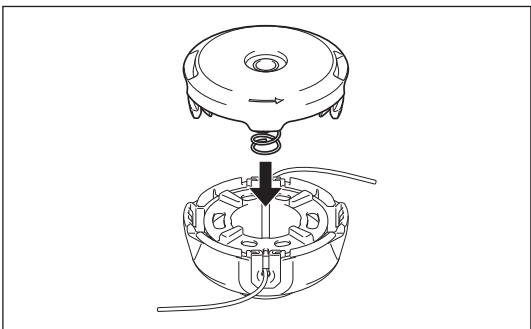
Embobine todo, dejando alrededor de 100 mm (3 - 15/16") de los cordones, dejando los extremos temporalmente enganchados a través de la muesca en el costado del carrete.



Coloque el carrete en la carcasa de tal forma que los dientes y protuberancias sobre encajen como corresponda. Mantenga el costado con las letras en el carrete visibles sobre la parte superior. Y ahora desenganche los extremos del cordón de su posición temporal e introdúzcalos por los ojales para que salgan de la carcasa.



Alinee la protuberancia sobre el lado inferior de la cubierta con las ranuras de los ojales.  
Luego empuje la cubierta con firmeza sobre la carcasa para fijarla.



## ALMACENTAMIENTO



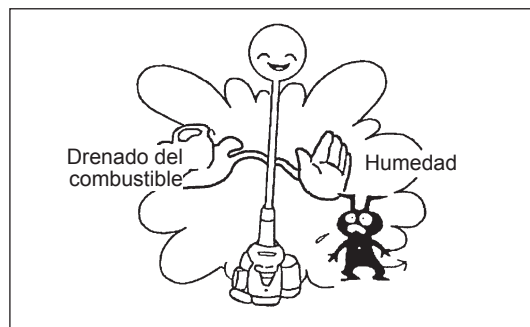
**ADVERTENCIA:** Al drenar el combustible, asegúrese de apagar el motor y confirmar que éste se haya enfriado.

Justo tras apagar el motor, puede que permanezca caliente con la posibilidad de causar quemaduras o que pueda ocasionar incendio a material inflamable.



**ATENCIÓN:** Cuando el equipo permanecerá sin usarse por un tiempo prolongado, drene todo el combustible del tanque y del carburador, y almacene en un lugar seco y limpio.

- Drene el combustible del tanque de combustible y carburador como se indica a continuación:
  - 1) Retire el tanque de la gasolina y drene el combustible por completo. Elimine por completo cualquier materia ajena que pueda quedar en el tanque de combustible.
  - 2) Jale el filtro de combustible del puerto de suministro con un alambre.
  - 3) Bombee el cebador hasta que el combustible se drene de ahí y drene el combustible hacia el tanque.
  - 4) Restaure el filtro al tanque de combustible y apriete la tapa de tanque de combustible firmemente.
  - 5) Luego, continúe con el motor corriendo hasta que éste se apague.
- Retire la bujía de encendido y escurra varias gotas de aceite de motor a través del orificio de la bujía de encendido.
- Jale suavemente el mango del arrancador de tal forma que el aceite se propague a través del motor y coloque la bujía de encendido.
- Coloque la cubierta para la cuchilla cortadora.
- Durante el almacenamiento, mantenga la barra en posición horizontal o almacene el equipo en posición recta con el borde de la cuchilla orientado hacia arriba. (En este caso, tenga la completa precaución de evitar que el equipo se caiga.)  
Nunca almacene el equipo con el borde de la cuchilla cortadora orientado hacia abajo. Puede que el aceite de lubricación se derrame.
- Conserve el combustible drenado en un contenedor especial en un lugar bien ventilado sin exposición al sol.



### Atención tras el almacenamiento a largo plazo

- Antes de arrancar el motor tras un prolongado tiempo de estar sin usarse, asegúrese de cambiar el aceite (consulte la P 73). El aceite tiende a deteriorarse cuando el equipo se deja sin usar.

### Lugar inapropiado

Falla	Sistema	Observación	Causa
El motor no arranca o arranca con dificultad	Sistema de encendido	Sí hay chispa de encendido	Falla en el suministro de combustible o sistema de compresión; problema mecánico
		No hay chispa de encendido	operación del interruptor; falla en el cableado o corto circuito; defecto en la bujía de encendido o su enchufe; problema en el módulo de encendido
	Suministro de combustible	Tanque de combustible lleno	Posición incorrecta del dosificador; carburador defectuoso; línea de suministro de combustible doblada o bloqueada; combustible impuro
	Compresión	No hay compresión al dar el jalón	Empaque defectuoso en el fondo del cilindro; daños en el sellado del cigüeñal; cilindro o anillos de pistones defectuosos o sellado inadecuado de la bujía de encendido
Problemas al arrancar el motor ya calentado	Falla mecánica	Arrancador no acciona	Resorte del arrancador roto; piezas rotas dentro del motor
		Existencia de chispa de encendido con el tanque lleno	Carburador contaminado, límpielo
El motor arranca pero se apaga	Suministro de combustible	Tanque lleno	Ajuste incorrecto del estado pasivo; carburador contaminado  Respiradero del tanque defectuoso; obstrucción de la línea de suministro de combustible; falla en el cable interruptor de encendido
Rendimiento deficiente	Puede que varios sistemas del equipo se vean afectados a la vez	Ineficiencia de estado pasivo del motor	Filtro de aire contaminado; carburador contaminado; congestión del mofle; congestión del conducto de escape en el cilindro



Elemento	Tiempo de operación	Antes de la operación	Tras la lubricación	Diariamente (10h)	30h	50h	200h	Apagar/dejar reposar	Acción correspondiente
Aceite para motor	Inspeccionar / limpiar	○							68
	Reemplazar					○*1			73
Apretar de piezas (perno, tuerca)	Inspeccionar	○							75
Tanque del combustible	Limpiar / inspeccionar	○							—
	Drenar combustible							○*3	80
Palanca aceleradora	Verificar funcionamiento		○						—
Interruptor	Verificar funcionamiento		○						72
Cuchilla cortadora	Inspeccionar	○		○					66
Rotación a baja velocidad	Inspeccionar / ajustar			○					72
Filtro de aire	Limpiar			○					74
Bujía de encendido	Inspeccionar			○					75
Conducto del aire de enfriamiento	Limpiar / inspeccionar			○					75
Manguera del combustible	Inspeccionar			○					75
	Reemplazar						◎*2		—
Grasa para la caja de cambios	Resuministrar				○				75
Filtro de combustible	Limpiar / reemplazar					○			75
Área despejada entre la válvula de ingreso del aire y válvula de escape del aire	Ajustar						◎*2		—
Reparación del motor							◎*2		—
Carburador	Drenar combustible							○*3	80

\*1 Realice un reemplazo inicial tras 20 horas de operación.

\*2 Para la inspección tras 200 horas de operación, acuda a un Agente de Servicio Autorizado o taller de servicios de mantenimiento.

\*3 Tras vaciar el tanque de combustible, continúe dejando el motor corriendo y drene el combustible del carburador.

## RESOLUCIÓN DE PROBLEMAS

Antes de solicitar un servicio de reparación, revise primero usted el problema. Si se encuentra cualquier anomalía, controle el equipo según la descripción de este manual que se indica. Nunca altere o desarme ninguna pieza que no se indique en la descripción. Para servicios de reparación, póngase en contacto con un Agente de Servicio Autorizado o con su distribuidor local.

Estado de anomalía	Causa probable (falla)	Solución
El motor no arranca	Falla en la operación de la bomba cebadora	Bombée de 7 a 10 veces
	Poca fuerza al jalar el cordón del arrancador	Jale con fuerza
	Falta de combustible	Suministre combustible
	Filtro de combustible congestionado	Limpiar
	Manguera de combustible doblada	Enderece la manguera de combustible
	Combustible deteriorado	El combustible deteriorado dificulta que el equipo arranque. Reemplace con nuevo aceite. (reemplazo recomendado: una vez al mes)
	Succión excesiva de combustible	Ajuste la palanca aceleradora de velocidad media a velocidad alta y jale el mango del arrancador hasta que el motor se encienda. <b>Una vez que el motor arranque, la cuchilla cortadora comienza a girar. Este completamente atento de la cuchilla cortadora.</b> Si el motor sigue sin arrancar, retire la bujía de encendido, seque los electrodos y reensamble. Luego arranque el equipo como se indica.
	Tapa de la bujía suelta	Fije con firmeza
	Bujía de encendido contaminada	Limpiar
	Irregularidad del área de despeje de la bujía de encendido	Ajuste el área de despeje
	Otra anomalía con la bujía de encendido	Reemplazar
	Irregularidad con el carburador	Solicite un servicio de inspección y mantenimiento.
	La cuerda del arrancador no puede jalarse	Solicite un servicio de inspección y mantenimiento.
	Irregularidad con el sistema de propulsión	Solicite un servicio de inspección y mantenimiento.
El motor se apaga en poco tiempo La velocidad del motor no aumenta	Falta de calentamiento del motor	Realice la operación de calentamiento
	Palanca dosificadora está en la posición cerrada ('CLOSE') aunque el motor ya está caliente.	Ajuste a la posición abierta ('OPEN')
	Filtro de combustible congestionado	Limpiar
	Filtro de aire contaminado o congestionado	Limpiar
	Irregularidad con el carburador	Solicite un servicio de inspección y mantenimiento.
	Irregularidad con el sistema de propulsión	Solicite un servicio de inspección y mantenimiento.
La cuchilla cortadora no gira ↓ Apague el motor de inmediato	La tuerca de fijación de la cuchilla cortadora está suelta	Apriete con firmeza
	Ramas enganchadas en la cuchilla cortadora o en la cubierta de prevención de dispersión.	Retire los residuos y materia ajena
	Irregularidad con el sistema de propulsión	Solicite un servicio de inspección y mantenimiento.
La unidad principal vibra de forma anormal ↓ Apague el motor de inmediato	Rótura, doblez o desgaste de la cuchilla cortadora	Reemplace cuchilla cortadora
	La tuerca de fijación de la cuchilla cortadora está suelta	Apriete con firmeza
	La parte convexa de la cuchilla cortadora y el adaptador del soporte de la cuchilla se han movido.	Fije con firmeza
	Irregularidad con el sistema de propulsión	Solicite un servicio de inspección y mantenimiento.
La cuchilla cortadora no se detiene inmediatamente ↓ Apague el motor de inmediato	Rotación a alta velocidad en estado pasivo	Ajustar
	Cable del acelerador suelto	Fije con firmeza
	Irregularidad con el sistema de propulsión	Solicite un servicio de inspección y mantenimiento.
El motor no se apaga ↓ Active el motor y que corra en estado pasivo y ajuste la palanca dosificadora a la posición cerrada ('CLOSE')	Conector suelto	Fije con firmeza
	Irregularidad con el sistema eléctrico	Solicite un servicio de inspección y mantenimiento.

Cuando el equipo no arranca tras la operación de calentamiento:

Si no se detecta alguna anomalía en los elementos de revisión, abra el acelerador alrededor de 1/3 y arranque el motor.



<USA only>

## **WARNING**

The engine exhaust from this product contains chemicals known to the State of California to cause cancer, birth defects or other reproductive harm.

<USA solamente>

## **ADVERTENCIA**

Los gases de escape del motor de este producto contienen sustancias químicas conocidas en el Estado de California como causantes de cáncer, defectos genéticos y otros problemas relacionados con la reproducción.

**Makita Corporation**

3-11-8, Sumiyoshi-cho,  
Anjo, Aichi 446-8502 Japan